

Barudan

HIGH SPEED AUTOMATIC EMBROIDERY MACHINE

BESRE
MODEL **BEMRE**
BEXE

PARTS LIST

BESRE • BEMRE • BEXE

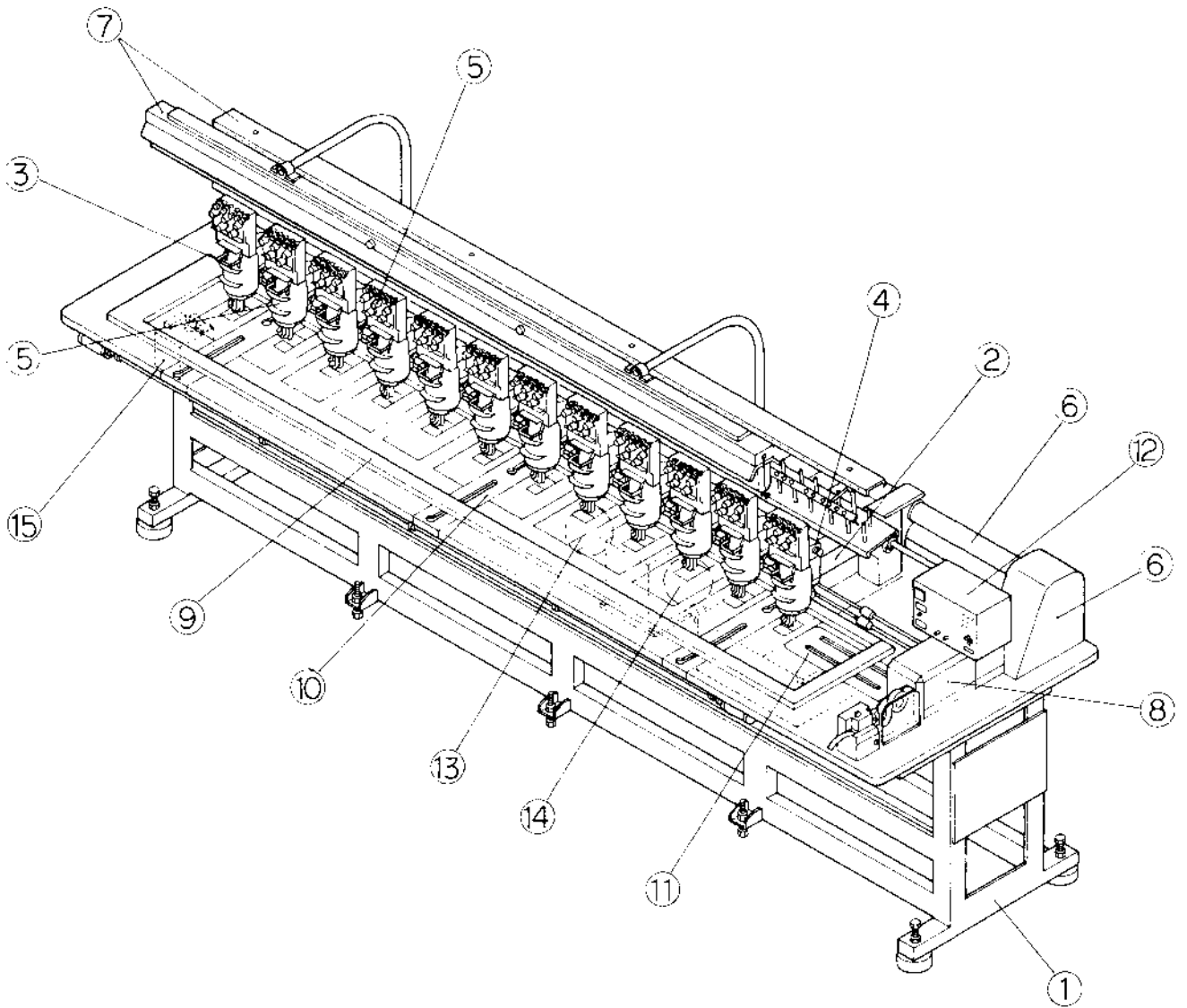
HIGH SPEED AUTOMATIC EMBROIDERY MACHIN

PART LIST

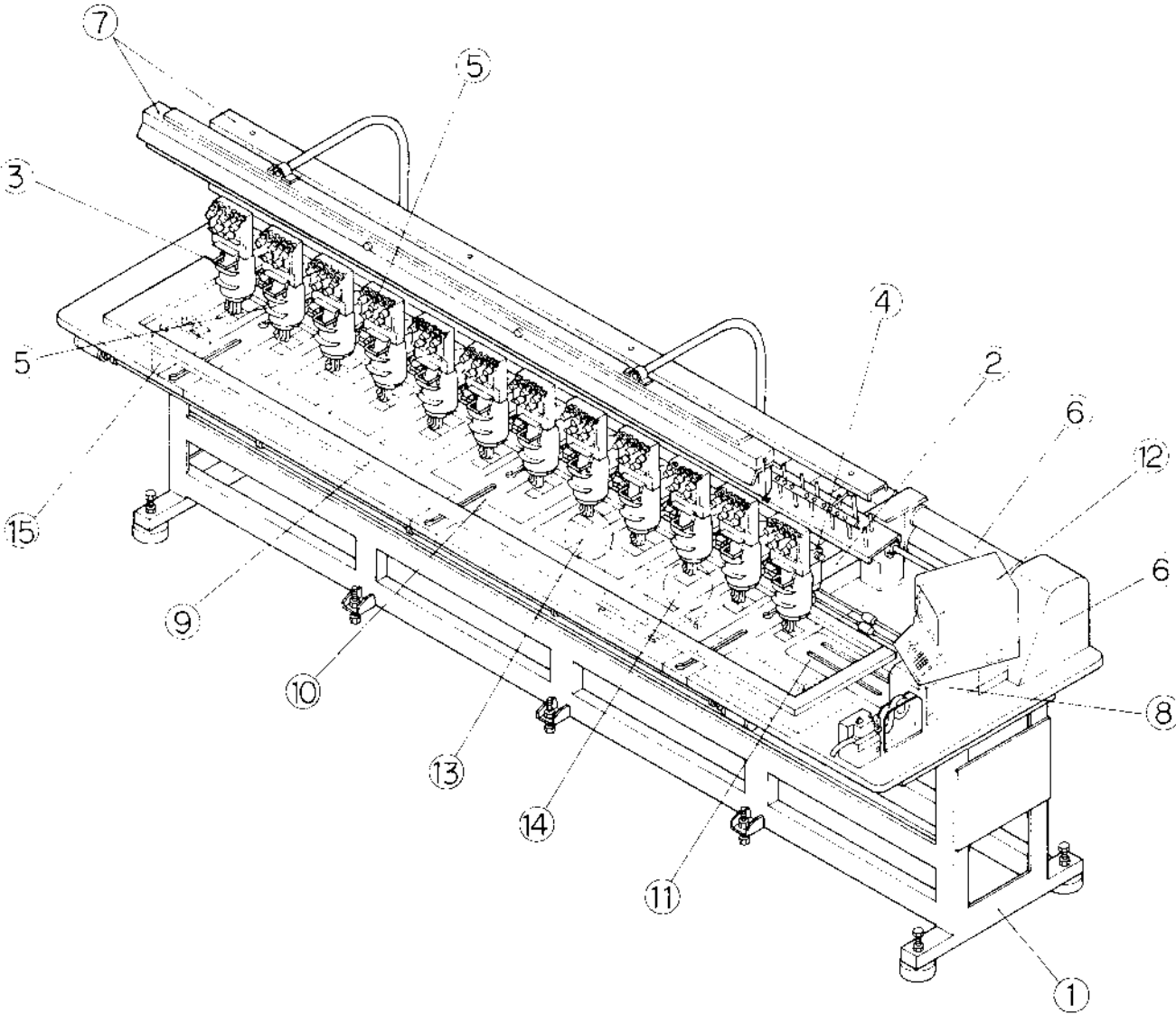
INDEX

ITEM No.	Page No.
Machine layout (BESRE BEMRE BEXE)	1
①Table • Frame	4
②Sewing head	6
③Needle bar • Take up lever mechanism	8
④Jamp mechanism (5 • 7)	1 0
⑤Thread guide mechanism (5) I	1 2
⑤Thread guide mechanism (7) II	1 4
⑥Drive mechanism	1 6
⑦Option	1 8
⑧Color change mechanism	2 0
⑨Pantograph drive mechanism (V • H-Direction) I --①	2 2
⑨Pantograph drive mechanism (V • H-Direction) I --②	2 4
⑩Pantograph drive mechanism (H) II	2 6
⑪Pantograph drive mechanism (V) III	2 8
⑫Contorol system <BESRE>	3 0
⑫Contorol system <BEMRE>	3 2
⑫Contorol system <BEXE>	3 4
⑬Under thread cut sensorium mechanism I	3 6
⑬Under thread cut sensorium mechanism II	3 8
⑭Thread cutting mechanism I	4 0
⑭Thread cutting mechanism II	4 2
⑮Thread cutting drive mechanism <BESRE, BEXE> III	4 4
⑮Thread cutting drive mechanism <BEMRE> III	4 6

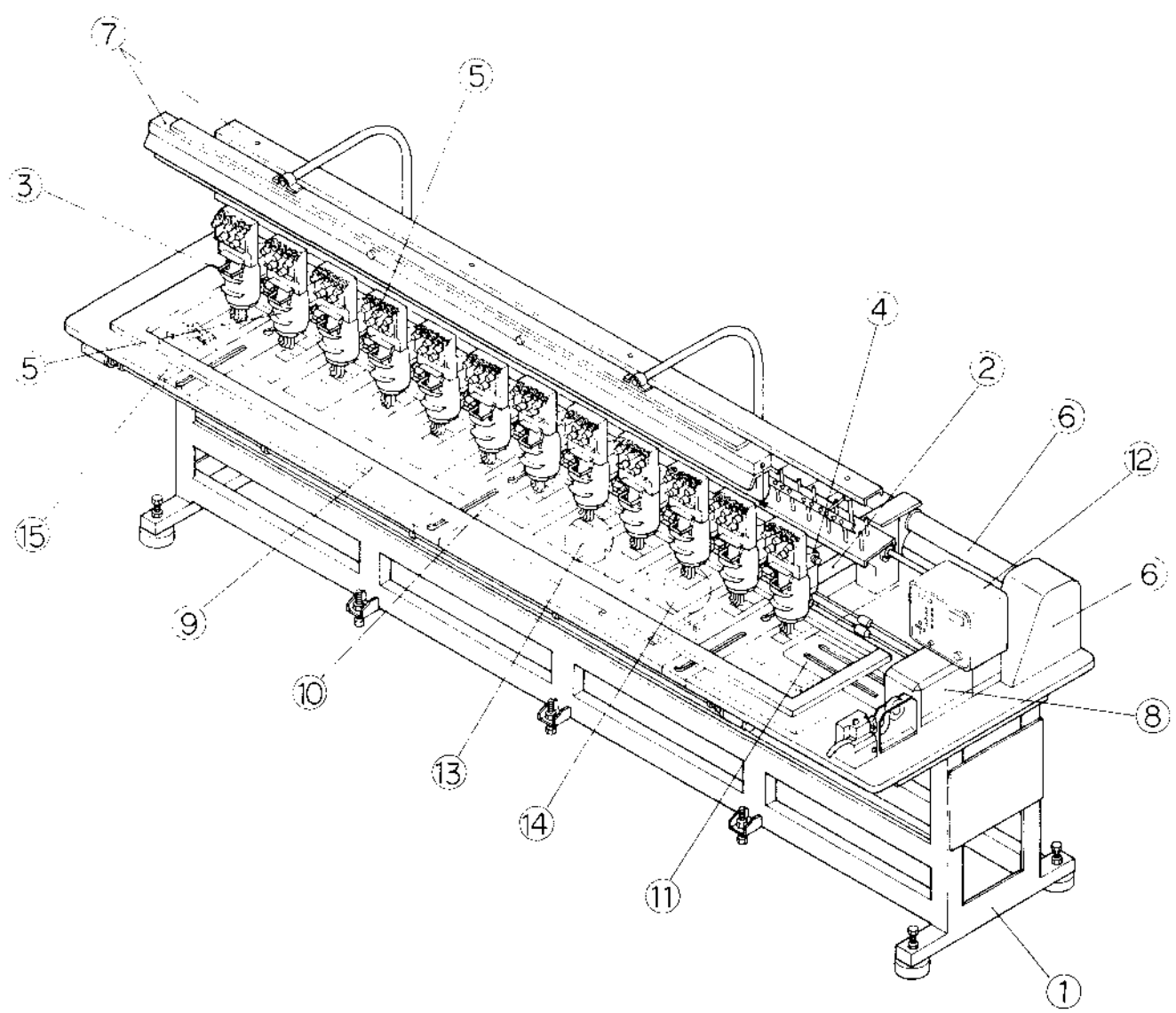
Machine layout <BESRE>



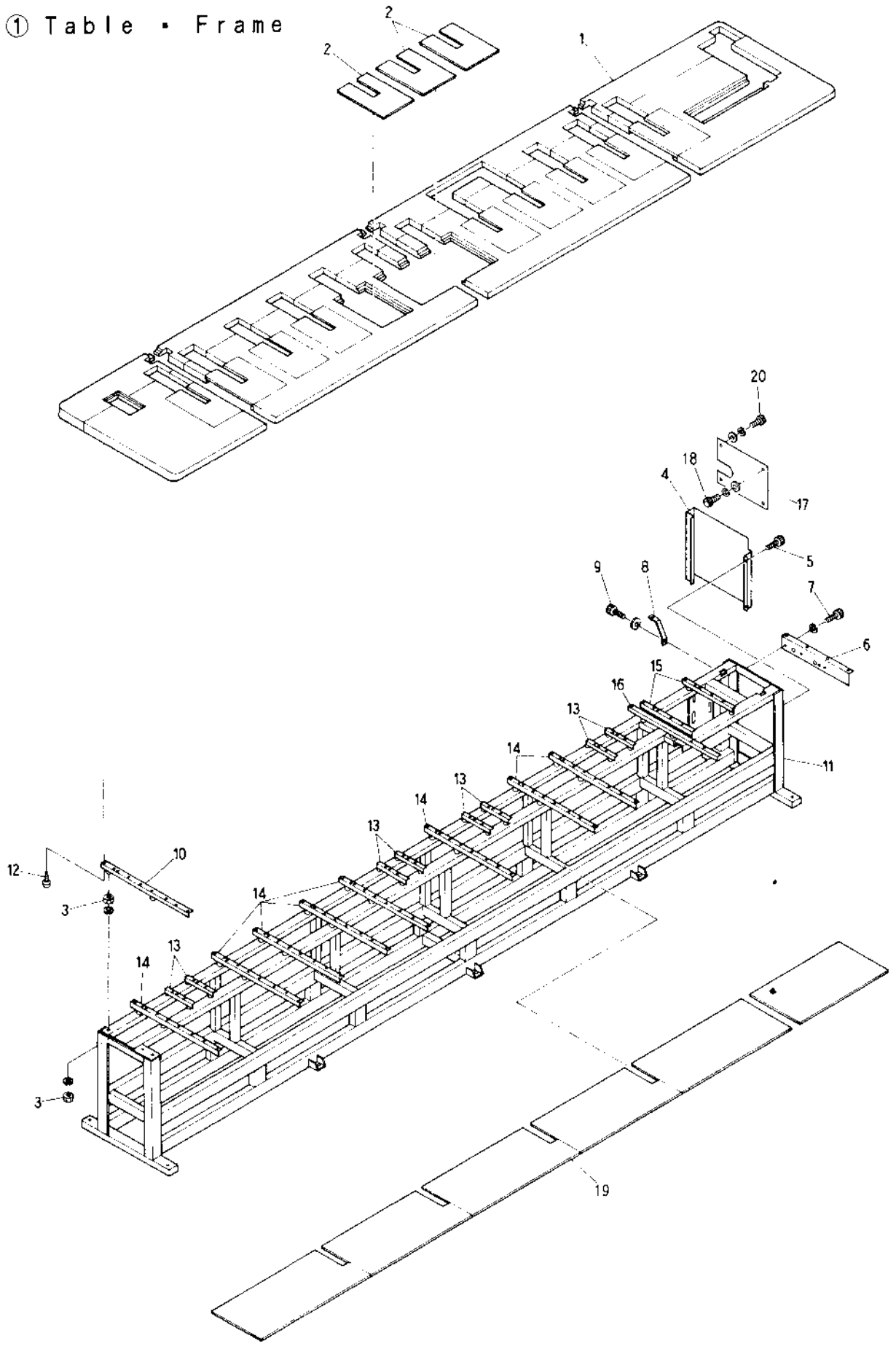
Machine layout <BEMRE>



Machine layout <BEXE>



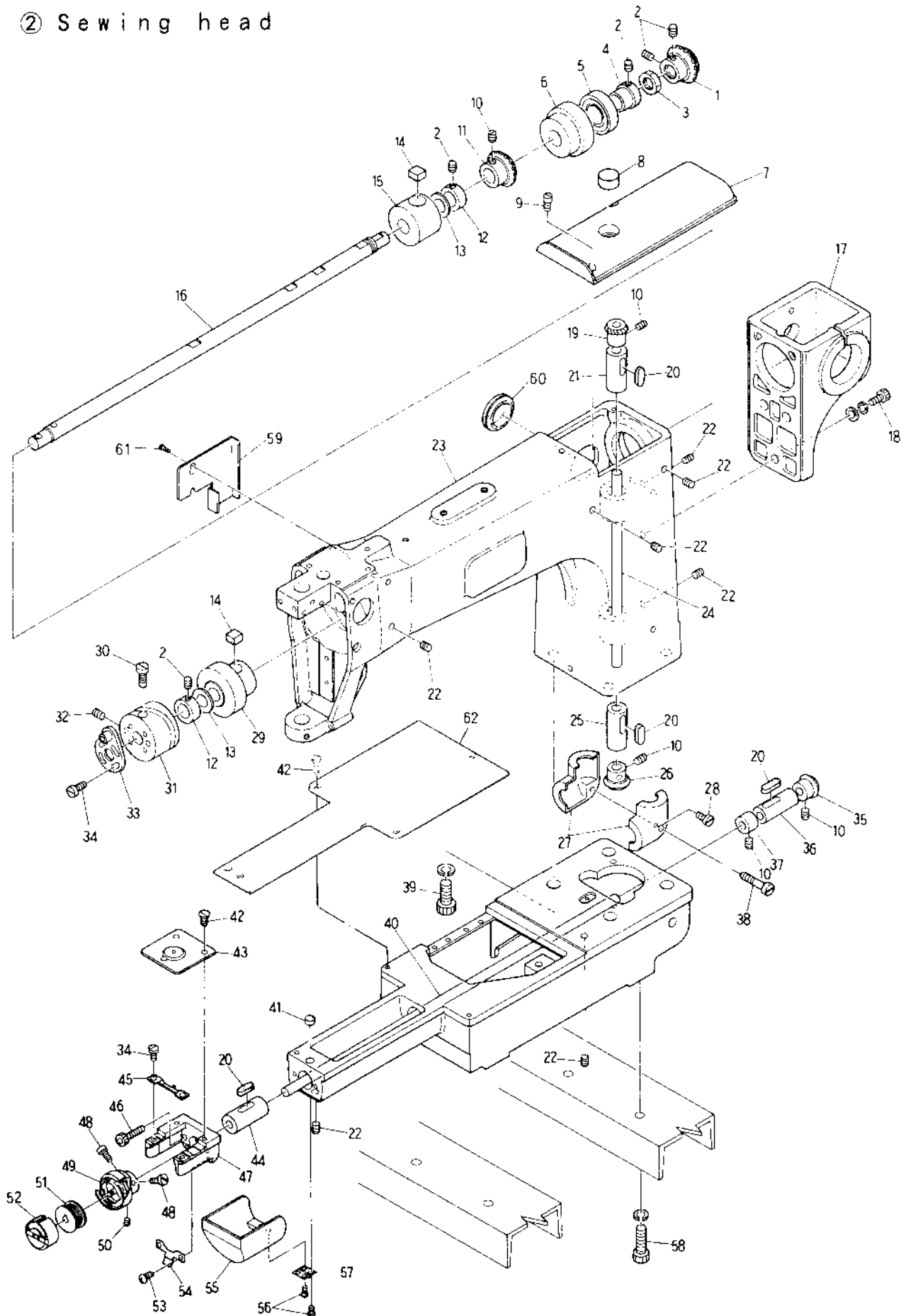
① Table • Frame



① Table ■ Frame (* Change the PART NO. by machine type ** Change number by machine type)

ITEM	PART No.	LIST No.	DESCRIPTION	QTY	REMARK
1	2B0G010	IBL123804800	Table SRE-12 320×380/480	1	*
2	1541G02	KG150412	Table cover	1	
3			Hex nut3/8		
4	1191L00	KL110910	Frame side cover (R)		
5			Hex socket bolt M6X10		
6	1465L00	KL141650	Table support (R)	1	
7			Hex. socket bolt M6X12		
8	1466L00	KL141660	Table support (R) Rear	1	
9			Hex. socket bolt M6X12		
10	1286C	KC120860	HJ Table support 796L	1	
11	1C00010	1AL12304800	frame (SRE-12, 320×380/480)	1	
12			Wood screw 5,1X25		
13	1456C	KC140560	Table support No.4	8	**
14	1453C	KC140530	Table support No.1 P214 (JMC)	8	**
15	1284C01	KC120841	Table support (475L)	2	
16	1454C	KC140540	Table support		
17	3106L00	KL310060	Pulley cover		for America, Europe
18			Hex. socket bolt M6×6		
19	1518C01	KC150151	Shelf board (BESRE-12, 320×380/480)	1	*
20			Hex. socket bolt M6×15		

② Sewing head



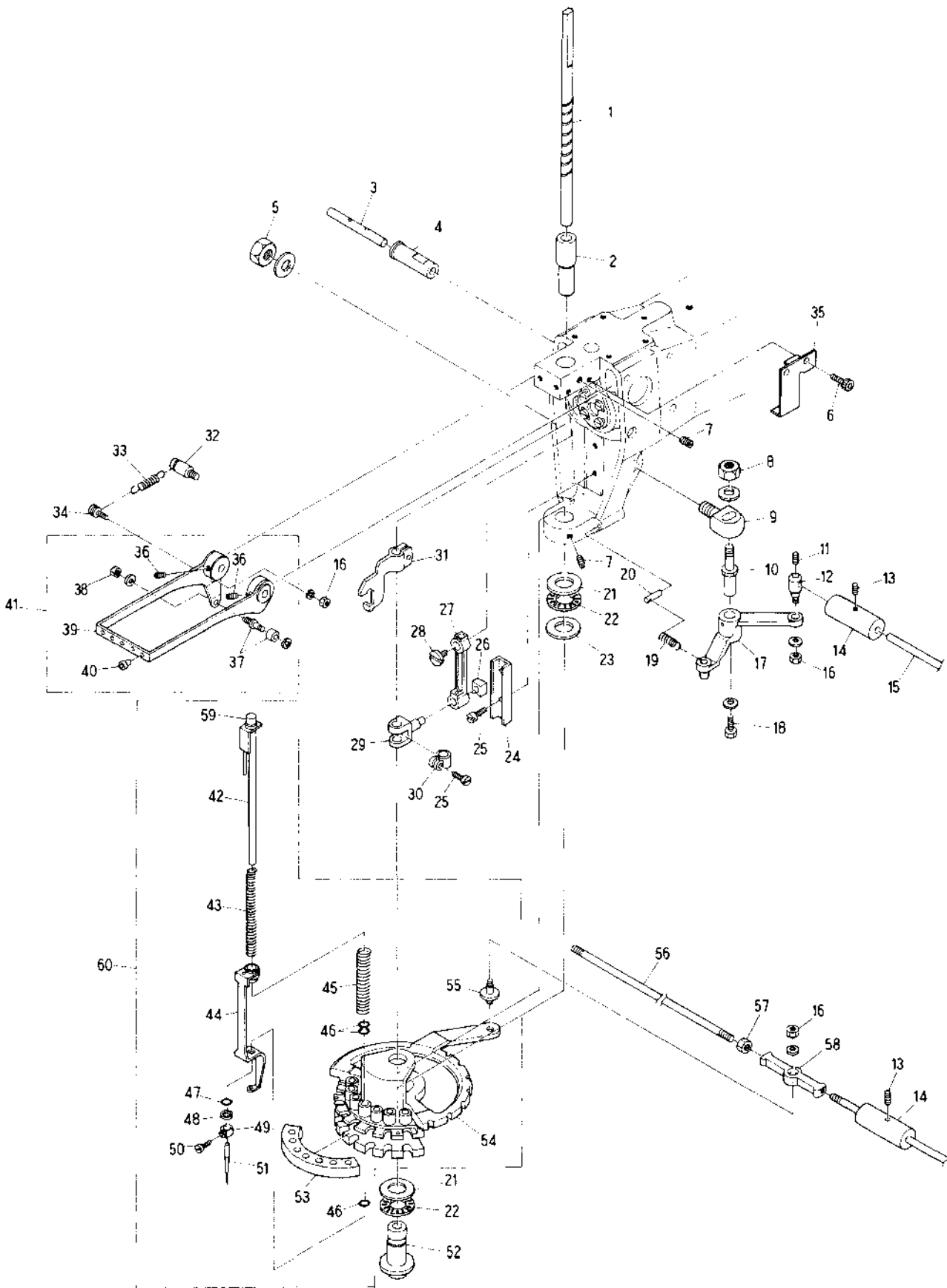
② Sewing head

ITEM	PART No.	LIST No.	DESCRIPTION	Q'TY	REMARK
1	2210L00	KL 2 2 0 1 0 0	Top shaft gear	1	
2			Hex. socket set screw M6×6		
3	2211L00	KL 2 2 0 1 1 0	Top shaft adjust nut M14	1	
4	2209L00	KL 2 2 0 0 9 0	Top shaft bearing collar (Rear)	1	
5	91017	A 9 0 1 0 0 1 7	Bearing (6004ZZ)	1	
6	2204L00	KL 2 2 0 0 4 0	Top shaft bearing case	1	
7	2504L00	KL 2 5 0 0 4 0	Arm top cover	1	
8	2215L00	KL 2 2 0 1 5 0	Oil felt D	1	
9			Screw M4X10		
10			Screw (SM1/4 40×4)		
11	2213F	KF 2 2 0 1 3 0	Bevel gear (Top shaft)	1	
12	2208L00	KL 2 2 0 0 8 0	Top shaft collar	2	
13	2309P00	HP 2 3 1 3 9 0	Thrust washer	2	
14	2213L00	KL 2 2 0 1 3 0	Oil felt B	2	
15	2203L00	KL 2 2 0 0 3 0	Top shaft metal (Middle)	1	
16	2200L00	KL 2 2 0 0 0 0	Top shaft	1	
17	2114L00	KL 2 1 0 1 4 0	Arm gear case	1	
18			Hex. socket bolt M6×25		
19	2246F	KF 2 2 0 4 6 0	Bevel gear (Vertical shaft upper)	1	
20	2214L00	KL 2 2 0 1 4 0	Oil felt C	4	
21	2205L00	KL 2 2 0 0 5 0	Vertical shaft metal (upper)	1	
22			Hex. socket set screw M6×8		
23	2100L00	KL 2 1 0 0 0 0	SRE Assy Head 7		
	2101L00	KL 2 1 0 0 1 0	SRE Assy Head 5		
	2100LOT	KL 2 1 0 0 0 T	SRE Assy Head 7 (with thread cutter)		
	2101LOT	KL 2 1 0 0 1 T	SRE Assy Head 5 (with thread cutter)		
24	2201L00	KL 2 2 0 0 1 0	Vertical shaft	1	
25	2206L00	KL 2 2 0 0 6 0	Vertical shaft metal (Lower)	1	
26	2247F	KF 2 2 0 4 7 0	Bevel gear (Vertical shaft (Lower))	1	
27	2227F	KF 2 2 0 2 7 0	Gear cover set	1	
28			Screw (SM15/64 28×24)		
29	2202L00	KL 2 2 0 0 2 0	Top shaft metal (Front)	1	
30	2342F	KF 2 3 0 4 2 0	Cam set screw	1	
31	2341N00	KN 2 3 0 4 1 0	Take up lever cam G	1	
32			Screw (SM15/64 28×10)		
33	2343N00	KN 2 3 0 4 3 0	90° Clamping	1	
34	91207	A 9 0 1 2 0 0 7	Screw	6	
35	2248F	KF 2 2 0 4 8 0	Bevel gear (Bottom shaft)	1	
36	2207L00	KL 2 2 0 0 7 0	Bottom shaft metal (Rear)	1	
37	2229F	KF 2 2 0 2 9 0	Bottom shaft collar	1	
38			Screw (SM9/32 20×38)		
39			Hex. socket bolt M12×35		
40	2221C	KC 2 2 0 2 1 0	Bottom shaft	1	
41	2212L00	KL 2 2 0 1 2 0	Oil felt A	1	
42	2590F	KF 2 5 0 9 0 0	Needle plate set screw (SM11/64 40×7)	2	

② Sewing head

ITEM	PART No.	LIST No.	DESCRIPTION	QTY	REMARK
4 3	2518A01	MA 2 5 0 1 3 1	Needle plate	1	
4 4	2223F	K F 2 2 0 2 3 0	Bottom shaft metal (front)	1	
4 5	2251A	MA 2 2 0 5 1 0	Bobbin case fixing plate	1	
4 6			Hex. socket bolt M 5 × 15		
4 7	2113L00	K L 2 1 0 1 3 0	Needle plate bracket (SRE)	1	(without cutter)
4 8			Screw (SM11/65 40×5)		
4 9	2231F	K F 2 2 0 3 1 0	Bobbin (HSL - A - M 1 Q)	1	
	2275F00	K F 2 2 0 7 5 0	Bobbin KHS 12 - RYNW (Option)	1	
5 0			Screw (SM11/65 40×4)	1	
5 1	2241F	K F 2 2 0 4 1 0	Bobbin	1	
5 2	2237F	K F 2 2 0 3 7 0	Bobbin case (MK - 3)	1	
5 3			Pan screw M 3 × 6		
5 4	2548C01	K C 2 5 0 4 8 1	Barrel bed cover push spring	1	
5 5	2547C01	K C 2 5 0 4 7 1	Barrel bed cover	1	
5 6			Pan screw M 3 × 6		
5 7	91227	A 9 0 1 2 0 2 7	Butterfly nut (TH - TM - 7 2)	1	
5 8			Hex. socket bolt M 8 × 20		
5 9	2505L00	K L 2 5 0 0 5 0	Arm side cable cover	1	
6 0	91463	A 9 0 1 4 0 6 3	Grommet C-30-SG-36A	1	
6 1			Binding screw M4×8		
6 2	2191G01	K G 2 1 0 9 1 1	Cylinder bed cover	1	

③ Needle bar - Take up lever mechanism



③ Needle bar - Take up lever mechanism

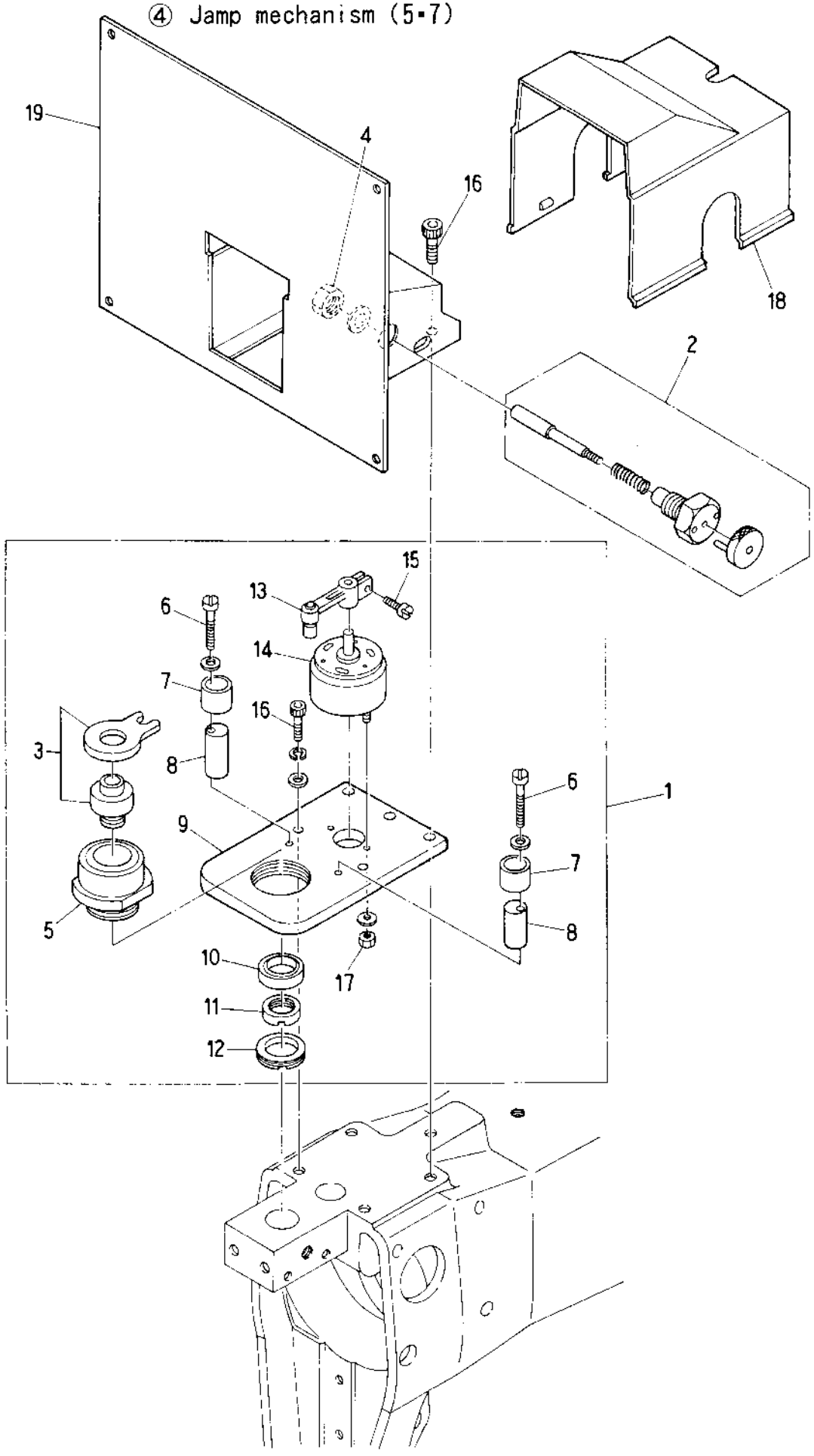
(N=needle 0'ty)

ITEM	PART No.	LIST No.	DESCRIPTION	Q'TY	REMARK
1	2300L00	KL 2 3 0 0 0 0	Driving shaft	1	
2	2332F	KF 2 3 0 3 2 0	Driver shaft upper metal	1	
3	2351F02	KF 2 3 0 5 1 2	Take up lever shaft	1	
4	2352F01	KF 2 3 0 5 2 1	Take up lever metal	1	
5			Hex. nut M10		
6			Hex. socket bolt M4 × 8		
7			Screw M6 × 6		
8			Hex. nut M8		
9	2365F	KF 2 3 0 6 5 0	Lock lever bracket	1	
10	2363F	KF 2 3 0 6 3 0	Lock lever shaft	1	
11			Hex. socket set screw M4 × 6		
12	2364F	KF 2 3 0 6 4 0	Lock connection rod clamp	1	
13			Hex. socket set screw M5 × 5		
14	3338F01	KF 3 3 0 3 8 1	Lock bar hand grip	1	
15	3341C	KC 3 3 0 4 1 0	Lock connecting rod (2M)	3	
16			Hex. nut M4		
17	2361G	KG 2 3 0 6 1 0	Lock lever	1	
18			Hex. bolt M5 × 10		
19	2366F01	KF 2 3 0 6 6 1	Lock lever spring	1	
20	2367F	KF 2 3 0 6 7 0	Lock lever spring pin	1	
21	91123	A 9 0 1 1 0 2 3	Thrust bearing (GS 1528)	2	
22	91121	A 9 0 1 1 0 2 1	Thrust bearing (NTB 1528)	2	
23	91122	A 9 0 1 1 0 2 2	Thrust washer (AS 1528)	1	
24	23D1P00	HP 2 3 1 3 1 0	Guide box	1	
25			Screw (SM 9/64 40 × 8)		
26	23D7P00	HP 2 3 1 3 7 0	Square ball	1	
27	23D0P01	HP 2 3 1 3 0 1	Clank rod	1	
28	2345F	KF 2 3 0 4 5 0	90° Clank screw fork	1	
29	23C9P00	HP 2 3 1 2 9 0	Needle bar driving	1	
30	2348F	KF 2 3 0 4 8 0	Needle shaft clamp	1	
31	2314L00	KL 2 3 0 1 4 0	Needle bar driver	1	
32	2302L00	KL 2 3 0 0 2 0	Take up lever spring shaft	1	
33	2303L00	KL 2 3 0 0 3 0	Take up lever spring	1	
34	2301L00	KL 2 3 0 0 1 0	Take up lever spring screw	1	
35	2317L00	KL 2 3 0 1 7 0	Oil core bracket	1	
36			Hex. socket set screw M5 × 6		
37	2350F	KF 2 3 0 5 0 0	Take up lever roller assy	1	
38			Hex. nut 7/32		
39	2307L00	KL 2 3 0 0 7 0	Take up lever (SRE-7)	1	
	2308L00	KL 2 3 0 0 8 0	Take up lever (SRE-5)	1	
40	2358F	KF 2 3 0 5 8 0	Ceramic thread guide SRE (7)	N×1	
41	2319L00	KL 2 3 0 1 9 0	Take up lever assy SRE (7)	1	
	2320L00	KL 2 3 0 2 0 0	Take up lever assy SRE (5)	1	
42	2301F	KF 2 3 0 0 1 0	Needle bar assy	N×1	
43	2318F	KF 2 3 0 1 8 0	Needle bar spring	N×1	

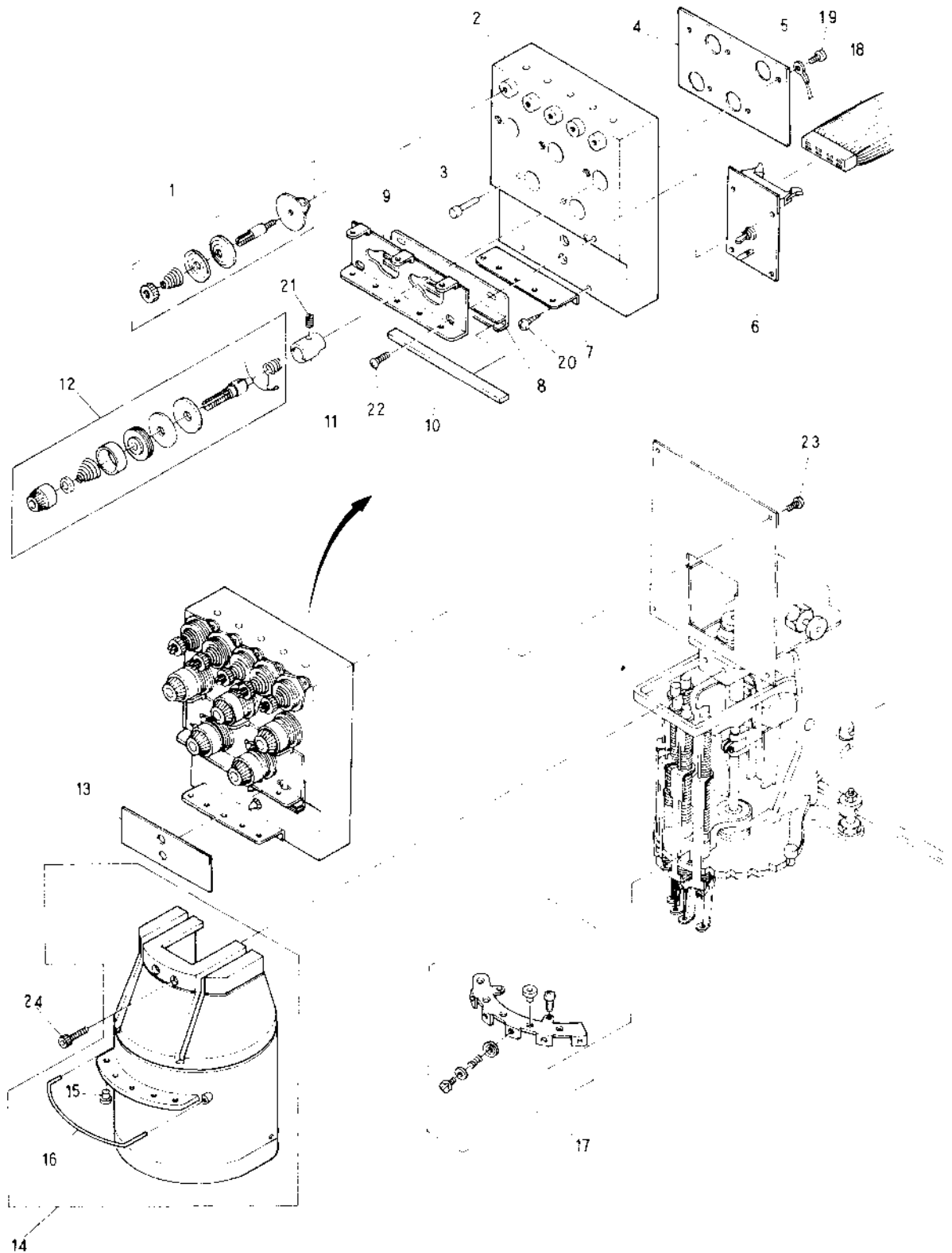
③ Needle bar ▪ Take up lever mechanism (※ change the PARTS No by machine type) (N=needle Q'ty)

ITEM	PART No	LIST No	DESCRIPTION	Q'TY	REMARK
4 4	2302G	KG 2 3 0 0 2 0	Presser foot	N×1	
4 5	2321F	KF 2 3 0 2 1 0	Needle bar spring	N×1	
4 6	2392F	KF 2 3 0 9 2 0	O ring (L)	N×3	
4 7	2391F	KF 2 3 0 9 1 0	O-ring (S)	N×1	
4 8	2393F	KF 2 3 0 9 3 0	Spacer	N×1	
4 9	2323F	KF 2 3 0 2 3 0	Needle clamp	N×1	
5 0	2324F	KF 2 3 0 2 4 0	Needle clamp screw (SM9/64)	N×1	
5 1	2325F	KF 2 3 0 2 5 0	Needle (DR K5 J1)	N×1	
5 2	2313L00	KL 2 3 0 1 3 0	Driver shaft lower metal	1	
5 3	2311L00	KL 2 3 0 1 1 0	Turret plate felt (SRE-7)	1	
	2312L00	KL 2 3 0 1 2 0	Turret plate felt (SRE-5)	1	
5 4	2305L00	KL 2 3 0 0 5 0	Turret plate (SRE-US)	1	
5 5	2304P00	HP 2 3 1 3 4 0	Turret plate joint pin	1	
5 6	3331C	KC 3 3 0 3 1 0 3 8 0	Turret plate connecting rod L-250	1	※
5 7			Hex. nut M5		
5 8	91205	A 9 0 1 2 0 0 5	Uni ball joint NMBRD4-020N (First head)	1	(First head)
	91203	A 9 0 1 2 0 0 3	Uni ball joint NMBRD4-020L (Final head)	1	(Final head)
5 9	2315F	KF 2 3 0 1 5 0	Needle bar cap	N×1	
6 0	2321L00	KL 2 3 0 2 1 0	Turret plate assy SRE (7)	1	
	2322L00	KL 2 3 0 2 2 0	Turret plate assy SRE (5)	1	

④ Jamp mechanism (5-7)



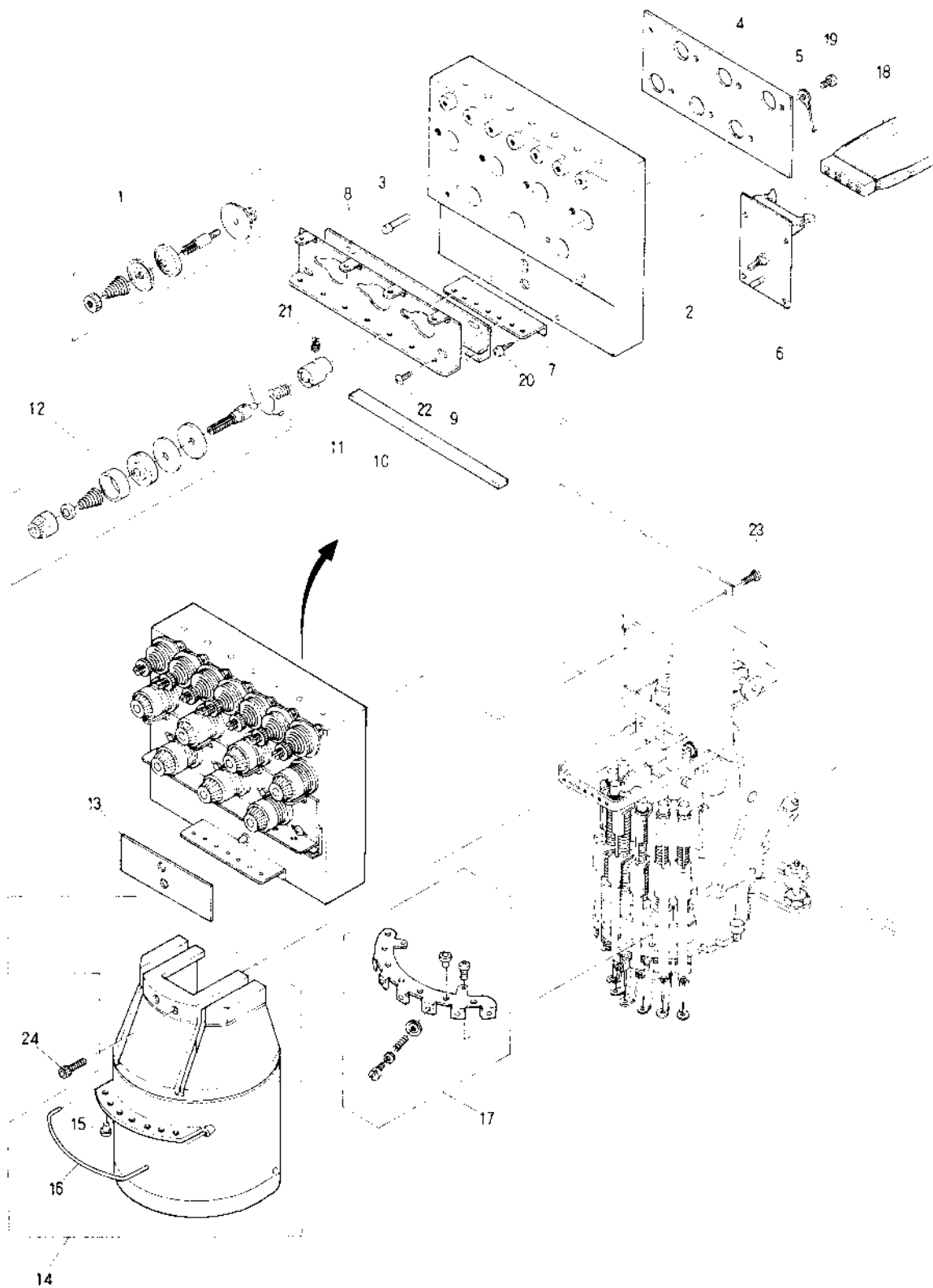
⑤ Thread guide mechanism (5) I



⑤ Thread guide mechanism (5) I (*Change the PART NO. by machine type)

ITEM	PART No.	LIST No.	DESCRIPTION	Q'TY	REMARK
1	24A2G	KG 2 4 1 0 2 0	Upper tension unit complete US	5	
2	24B1P00	HP 2 4 1 1 1 0	Tension base (5)	1	
3	24B6P00	HP 2 4 1 1 8 0	Upper thread detection pin	5	
4	24D7P01	HP 2 4 1 3 7 1	Tension earth plate (5)	1	
5	24D9P00	HP 2 4 1 3 9 0	Tension earth cable	1	
6	550C150	E B Y 0 0 1 5 0	3720 Head board	1	
7	24B9P00	HP 2 4 1 1 9 0	Second thread guide plate (5)	1	
8	24E5P00	HP 2 4 1 4 5 0	Thread guide felt fixing plate (5)	1	
9	24B7P00	HP 2 4 1 1 7 0	First thread guide (5)	1	
10	24E7P00	HP 2 4 1 4 7 0	Thread guide felt (5)	1	
11	24B5P00	HP 2 4 1 1 5 0	Tension base (with screw)	5	
12	24E1P00	HP 2 4 1 4 1 0	Dial type tension unit complete	5	
13	24ECPC0	HP 2 4 1 4 0 0	Tension base label	1	
14	2500LC0	KL 2 5 0 0 1 0	Sewing head cover (5)	1	
15	2493F01	KF 2 4 0 9 3 1	Thread guide $\phi 11$ (Alumina)	5	
16	2558P01	HP 2 5 0 5 8 1	Sewing head cover thread guide	1	
17	2505P00	HP 2 5 0 0 5 0	Thread end trap assy (UF)	1	
18	5140C	KN51040012300	Flat cable SR-12 P300	1	*
19			Pan screw M3×4		
20			Tapping screw M3.5×8		
21			Set screw SM11/64 40×5.5)		
22			Truss screw M4×6		
23			Pan screw M4×10		
24			Hex. socket bolt M5×10		

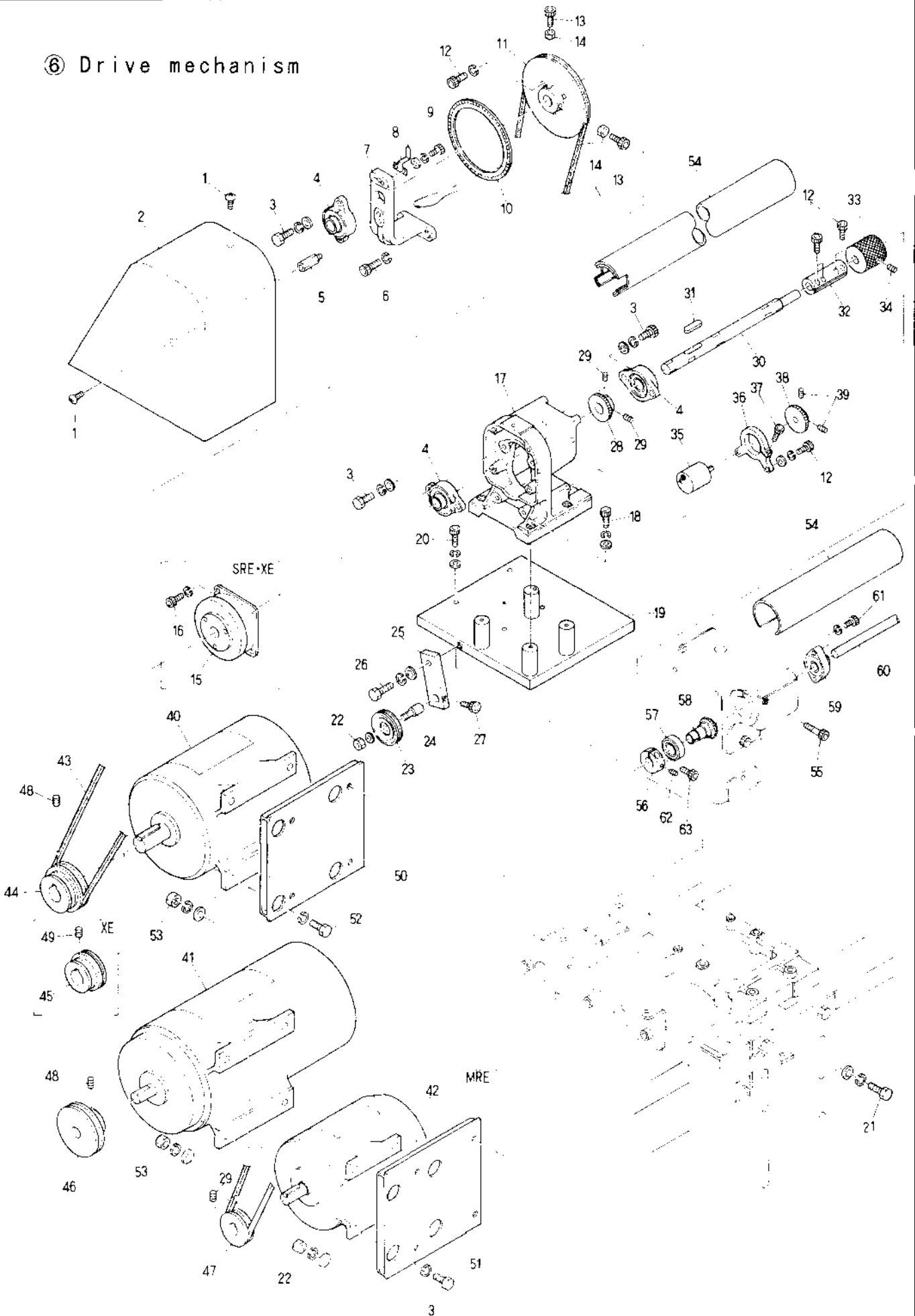
⑤ Thread guide mechanism (7) II



⑤ Thread guide mechanism (7) II (※Change the PART NO. by machine type)

ITEM	PART No.	LIST No.	DESCRIPTION	QTY	REMARK
1	24A2G	KG 2 4 1 0 2 0	Upper tension unit complete US	7	
2	24B2P00	HP 2 4 1 1 2 0	Tension base (7)	1	
3	24B6P70	HP 2 4 1 1 0 0	Upper thread detection pin	7	
4	24D6P00	HP 2 4 1 3 8 1	Tension earth plate (7)	1	
5	24D9P70	HP 2 4 1 5 7 1	Tension earth cable	1	
6	25C7150	CBY 0 0 1 5 0	5220 Head board	1	
7	24C7P00	HP 2 4 1 2 0 0	Second thread guide plate (7)	1	
8	24B6P00	HP 2 4 1 4 0 0	Thread guide felt fixing plate (7)	1	
9	24B6P00	HP 2 4 1 1 0 0	First thread guide (7)	1	
10	24B6P00	HP 2 4 1 4 0 0	Thread guide felt (7)	1	
11	24B7P00	HP 2 4 1 1 5 0	Tension base (with screw)	7	
12	24E1P00	HP 2 4 1 4 1 0	Bial type tension unit complete	7	
13	24E0P00	HP 2 4 1 4 0 0	Tension base label	1	
14	250C000	KL 2 5 0 0 0 0	Sewing head cover (7)	1	
15	2405F00	KF 2 4 0 0 3 1	Thread guide (φ11 (Alumina))	7	
16	2558P01	HP 2 5 0 5 8 1	Sewing head cover thread guide	1	
17	2504G	KG 2 5 0 0 1 0	Thread end trap assy (US)	1	
18	711.0	KV21010012300	Flat cable SR 12 P300	1	※
19			Fan screw M3×4		
20			Tapping screw M3.5×8		
21			Set screw SM11.01 10×5.5		
22			Truss screw M1×6		
23			Fan screw M1×10		
24			Hex. socket bolt M5×10		

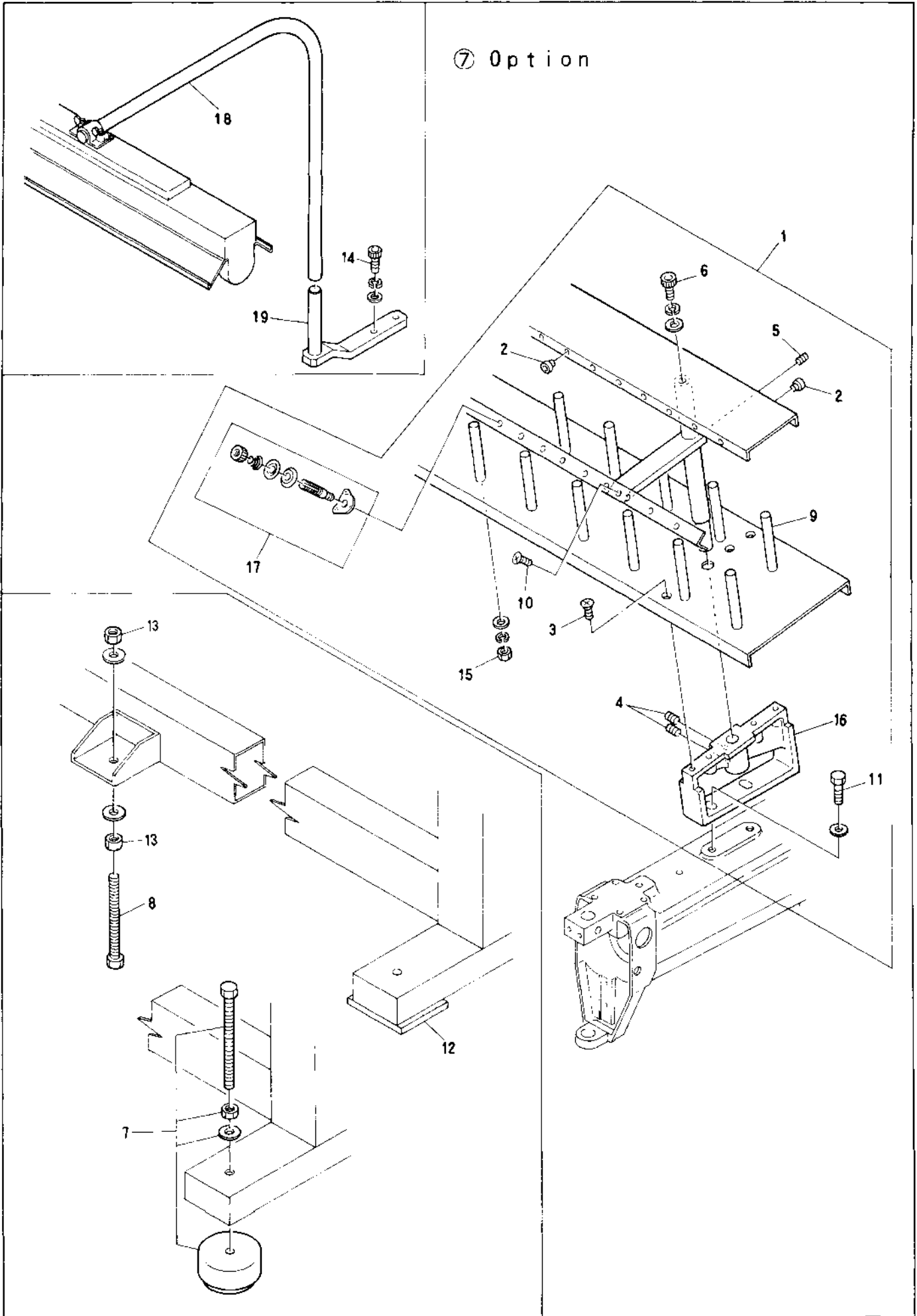
⑥ Drive mechanism



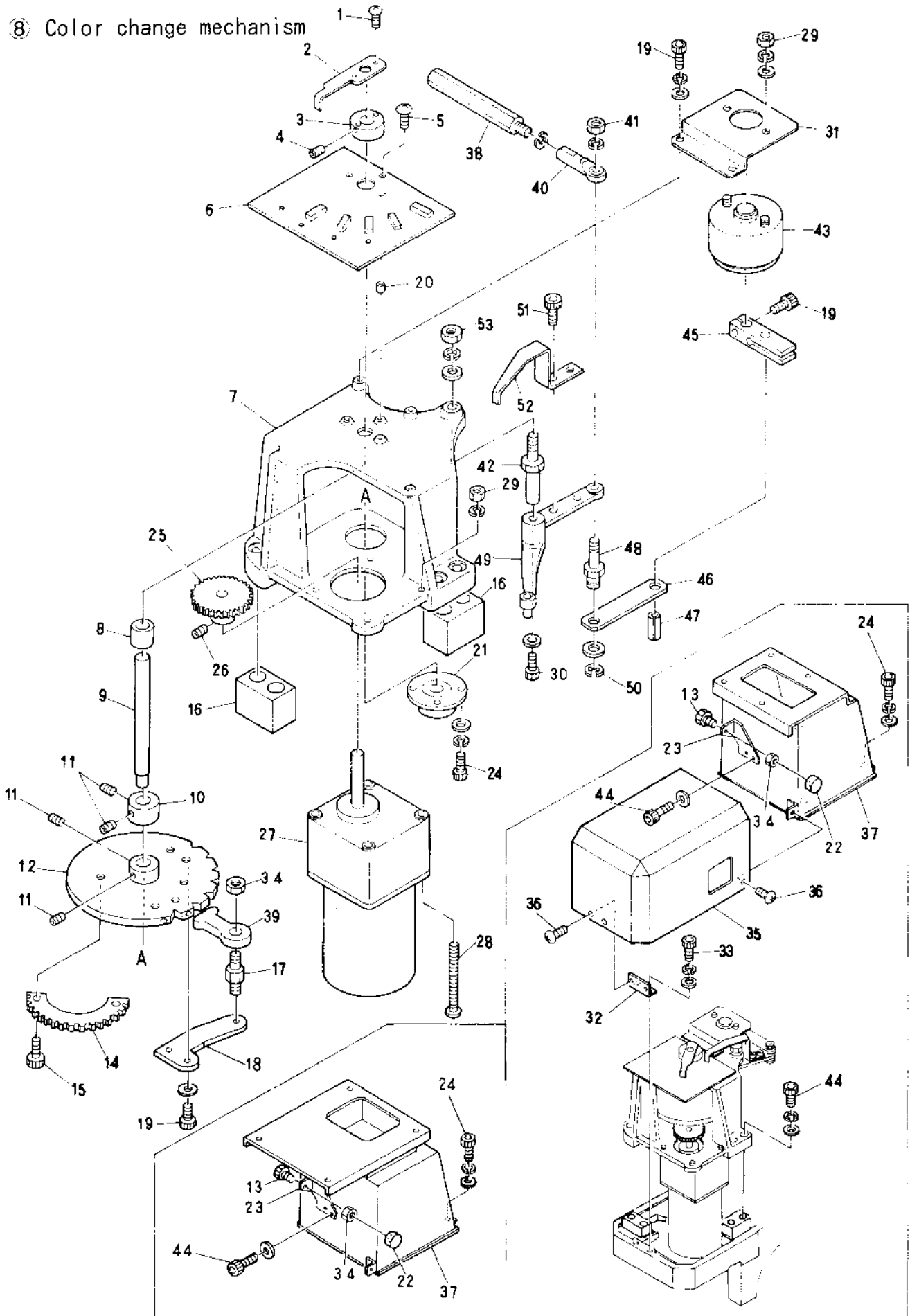
⑥ Drive mechanism

ITEM	PART No.	LIST No.	DESCRIPTION	QTY	REMARK
1			Pan screw M4×8		
2	3101L00	KL310010	Belt cover	1	
3			Hex. bolt M8×25		
4	91117	A9011017	Bearing unit BLF 204 (FYH)	3	
5	31T4N00	HP312940	Belt cover stay	1	
6			Hex. socket bolt		
7	31FXN00	KN315130	Brake box bearing support	1	
8	31EDP00	HP314670	Angle gauge	1	
9			Hex. socket bolt M4×8		
10	31AHN00	KN313670	Angle label (A)	1	
11	31S5C01	KC312851	Driving pulley	1	
12			Hex. socket bolt M6×20		
13			Hex. socket bolt M6×14		
14			Hex. nut M6		
15	31S0C	KC312800	Brake unit	1	
16			Hex. socket bolt M5×12		
17	31S1N00	KN312810	Brake box	1	
18			Hex socket bolt M6×35		
19	3105L01	KL310051	Brake box base	1	
20			Hex. socket bolt M6×50		
21			Hex. bolt M6×25		
22			Hex. nut M8		
23	31Y8P00	HP313480	NBK V-Idler (TPMV-64)	1	
24	31Y3P01	HP313430	Belt tension shaft 15×3.55L	1	
25	3104L00	KL310040	Idler stay	1	
26			Hex. bolt M12×35		
27			Hex. socket bolt N6×12		
28	31T1C01	KC312911	Encoder driving gear No.1	1	
29			Hex. socket set screw M5×8		
30	31S2N00	KN312820	Brake shaft	1	
31	3121W00	WW310210	Key 6×6×35	1	
32	3255H	HH320550	Upper shaft connecting coupling	1	
33	3259C	KC320590	Hand pulley	1	
34			Hex. socket set screw M6×12		
35	51A2N00	KN511020	Position coder 051 (for Embroidery machine)	1	
36	31S9C	KC312890	Encoder retainer	1	
37			Truss screw M4×15		
38	31T2C01	KC312921	Encoder driving gear No.2	1	
39			Hex. socket set screw M4×8		
40	3111C	KC310110	Three-phase Motor (IKS-4P-0.4KW-DBK8)	1	(SRE, XE 3-phase)
41	3112C	KC310120	Single-phase Motor (FUJI PS401)	1	(SRE, XE 1-phase)
42	31FVN00	KN315110	Motor (IK-FBK8-4P 0.55KW VF3 200V)	1	(MRE motor)
43	92066	A9020066	V-belt 3V-560	1	
44	31Y0P01	HP313401	Motor pulley (5R-3P-50/60HZ)	1	(SRE 3-phase)
45	31S3C01	KC312831	Motor pulley (3P-50/60HZ)	1	(XE 3-phase)

⑦ Option



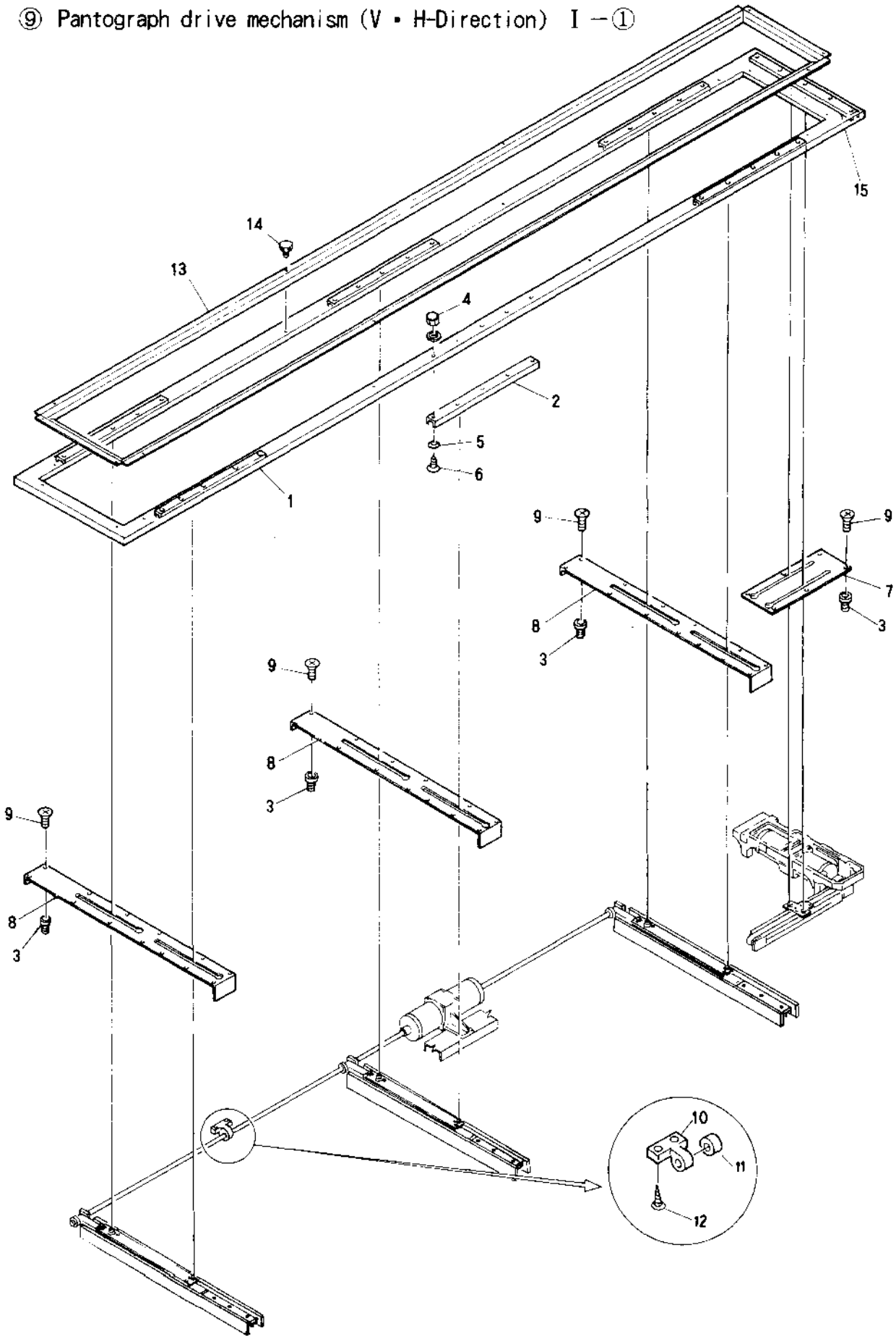
⑧ Color change mechanism



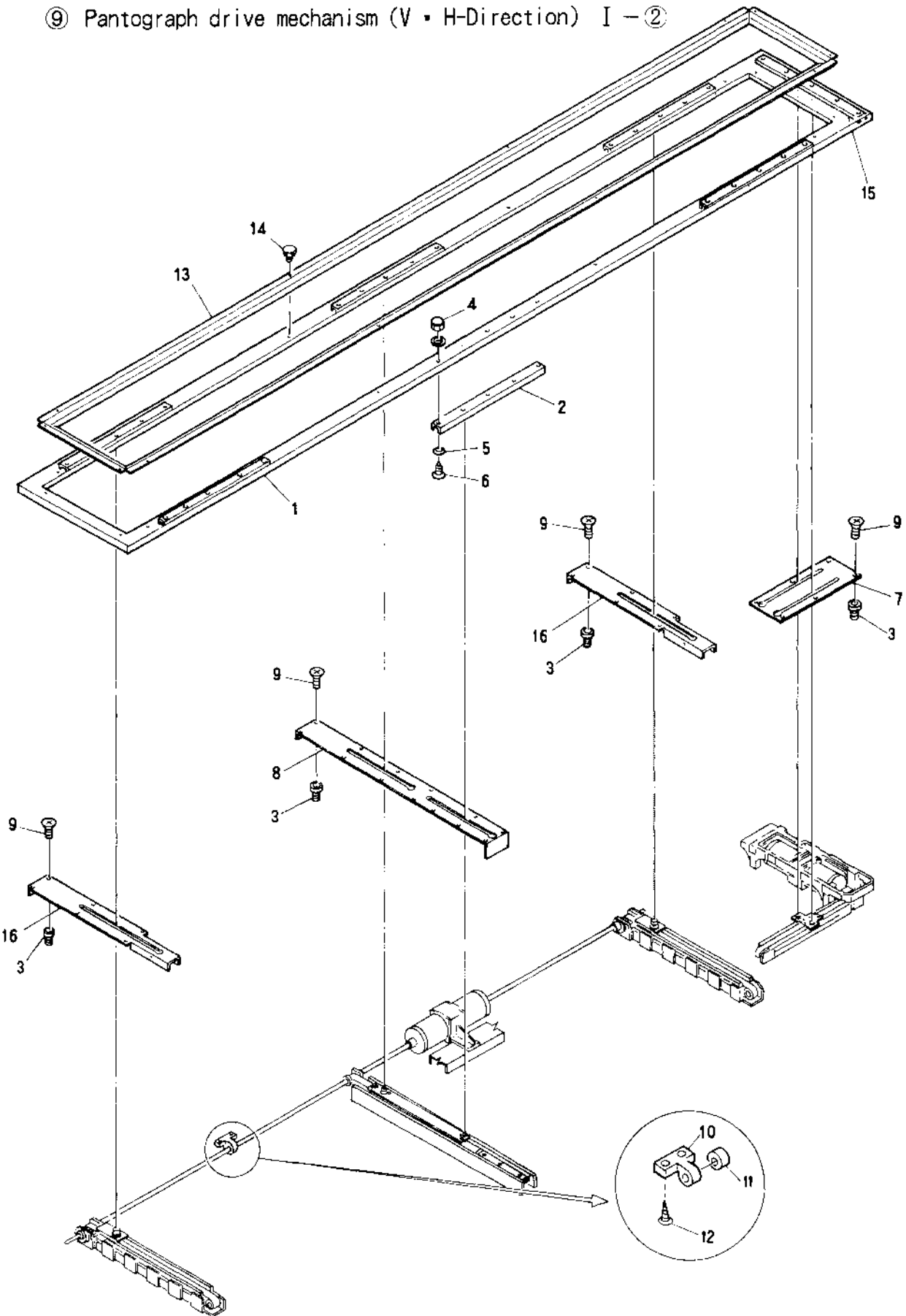
⑧ Color change mechanism

ITEM	PART No.	LIST No.	DESCRIPTION	Q'TY	REMARK
1			Flush screw M3×8		
2	3328C	KC 3 3 0 2 8 0	Detection plate	1	
3	3317C	KC 3 3 0 1 7 0	Plate collar	1	
4			Hex. socket set screw M5×10		
5			Flush screw M3×12		
6	55C0180	EBY 0 0 1 8 0	3740 Needle positioner (US)	1	
7	3313C	KC 3 3 0 1 3 0	Needle turning unit base	1	
8	3319C	KC 3 3 0 1 9 0	Oil-less metal	1	
9	3316C	KC 3 3 0 1 6 0	Needle turning shaft	1	
10	3318C	KC 3 3 0 1 8 0	Collar φ10	1	
11			Hex. socket set screw M5×6		
12	3315G	KG 3 3 0 1 5 0	US Control turning plate	1	
13			Hex. socket bolt M5×30		
14	3322G	KG 3 3 0 2 2 0	Needle turning gear No.2	1	
15			Hex. socket bolt M5×12		
16	3305L00	KL 3 3 0 0 5 0	Unit base spaser	2	
17	2336F	KF 2 3 0 3 6 0	Turret plate joint pin	1	
18	3304L00	KL 3 3 0 0 4 0	Turret plate lever	1	
19			Hex. socket bolt M5×15		
20	912K3	A 9 0 1 2 2 0 3	Specer 4×4	3	
21	3361C	KC 3 3 0 6 1 0	Oil-less bearing (OCHIAI) S/S LSB-G8-08V	1	
22	2315F	KF 2 3 0 1 5 0	Needle bar cap	1	
23	3302L00	KL 3 3 0 0 2 0	Lock lever stopper		
24			Hex. socket bolt M6×12		
25	3321C	KC 3 3 0 2 1 0	Needle turning gear No.1 (0.8M50T)	1	
26			Hex. socket set screw M4×8		
27	3381C	KC 3 3 0 8 1 0	Geard motor RM-P6A5PC3-AS-120	1	
28			Flush screw M4×65		
29			Hex. nut M4		
30			Hex. socket bolt M5×12		
31	3326C	KC 3 3 0 2 6 0	Bracket lock rotary solenoid	1	
32	3391C	KC 3 3 0 9 1 0	Cover bracket	1	
33			Hex. socket bolt M5×10		
34			Hex. nut M5		
35	3301L00	KL 3 3 0 0 1 0	Cover	1	
36			Truss screw M4×8		
37	33K1N00	KN 3 3 2 0 1 0	Automat base (BEMRE)	1	
	3312N01	KN 3 3 0 1 2 1	Automat base (BESRE, XE)	1	
38	3351C	KC 3 3 0 5 1 0	Hex. connecting bar (L)	1	
39	91201	A 9 0 1 2 0 0 1	Uniball joint (NMB RD4020R)	1	
40	91202	A 9 0 1 2 0 0 2	Uniball joint (NMB PR 6)	1	
41			Hex. nut M16		
42	2363F	KF 2 3 0 6 3 0	Lock lever shaft	1	
43	3385C	KC 3 3 0 8 5 0	Rotary solenoid 6SR-25 (27×4×9)	1	
44			Hex. socket bolt M6×30		

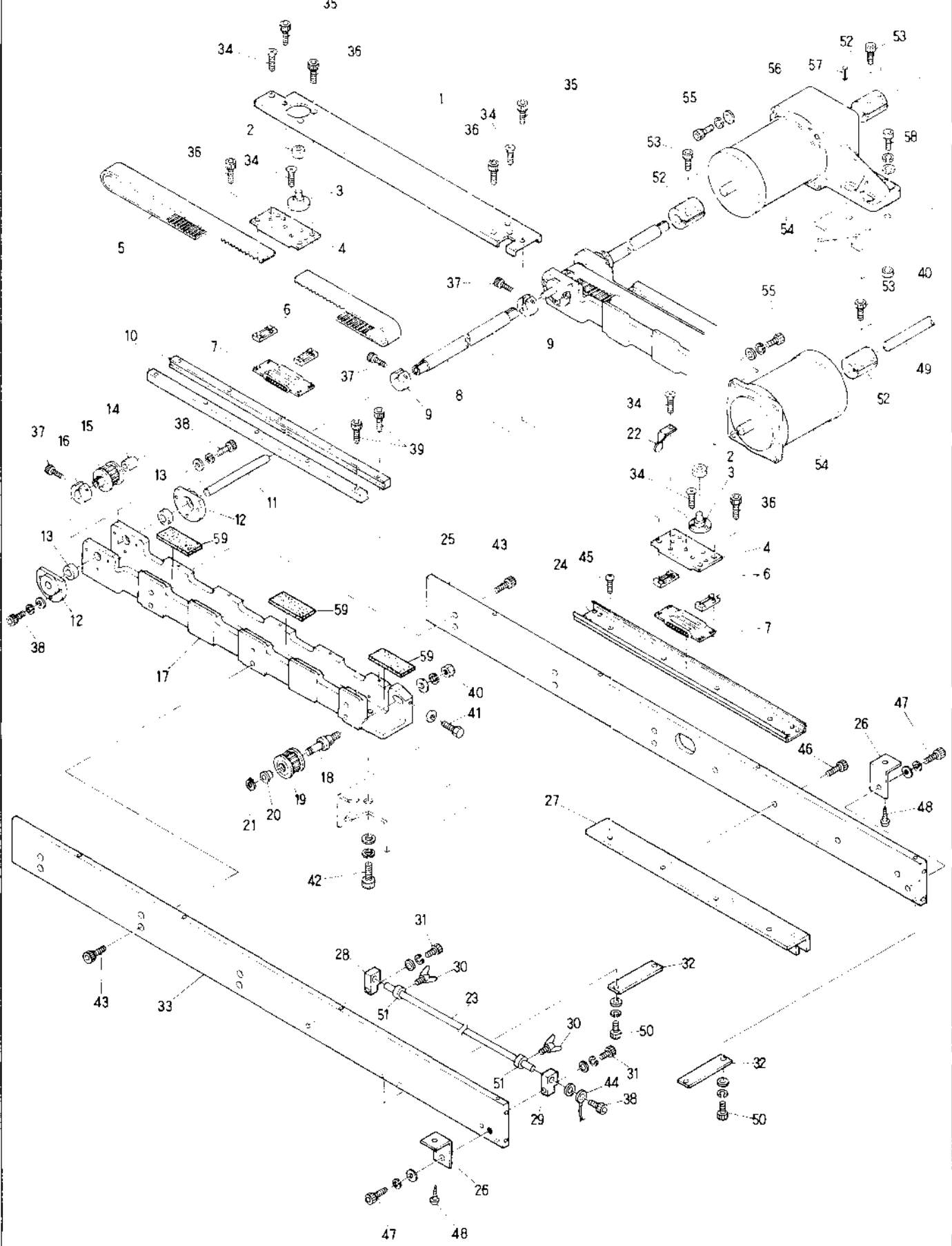
⑨ Pantograph drive mechanism (V • H-Direction) I - ①



⑨ Pantograph drive mechanism (V • H-Direction) I - ②



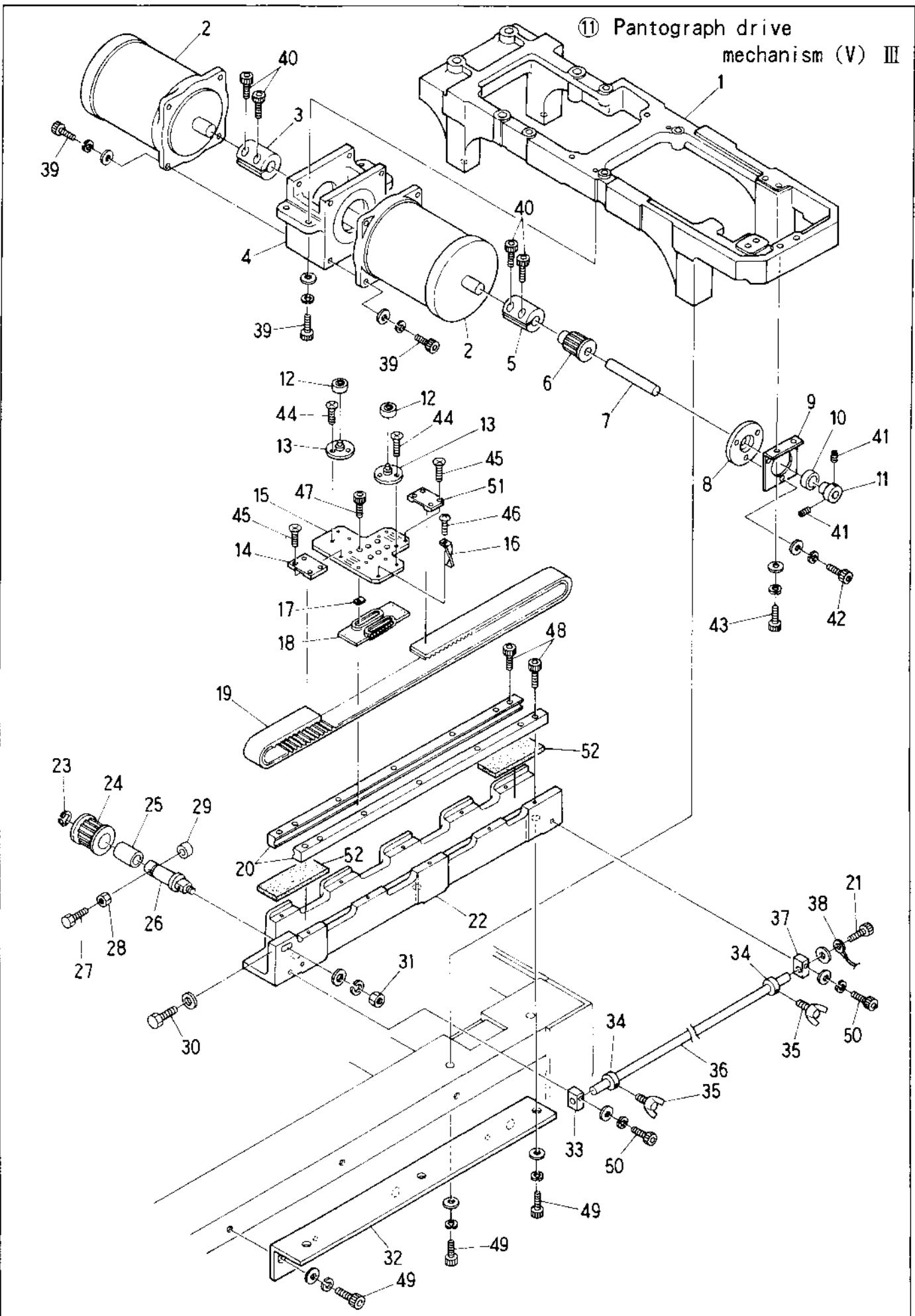
⑩ Pantograph drive mechanism (H) II



⑩ Pantograph drive mechanism (H) II

ITEM	PART No.	LIST No.	DESCRIPTION	QTY	REMARK
1	4824C	KC 4 8 0 2 4 0	H member connectins channel HJ	1	
2	91006	A 9 0 1 0 0 0 6	Bearing (625zz)(1650)	2	
3	4826C	KC 4 8 0 2 6 0	Bearing shaft	2	
4	4821C	KC 4 8 0 2 1 0	H slide pack base	2	
5	48A3H	HH 4 8 1 0 3 0	Timing belt T5-20-243	1	
6	4765C	KC 4 7 0 6 5 0	Timing belt rack	4	
7	4831H	HH 4 8 0 3 1 0	Slide pack (FBW3590)	2	
8	4920N00	KN 4 9 0 2 0 0	H pulse motor connecting shaft set (BESR-12, P=380)	1	
9	4718H	HH 4 7 0 1 8 0	clamp (φ12)	4	
1 0	4833C	KC 4 8 0 3 3 0	V guide rail S55C (430L)	2	
1 1	4764C	KC 4 7 0 6 4 0	Timing belt shaft(150L)	1	
	4759C	KC 4 7 0 5 9 0	Timing belt shaft(130L)	2	
1 2	4769N00	KN 4 7 0 6 9 0	Bearing housing	2	
1 3	91101	A 9 0 1 1 0 0 1	Bearing (JBS 108)	2	
1 4	4762C	KC 4 7 0 6 2 0	Timing pulley adjust collar	1	
1 5	4752C	KC 4 7 0 5 2 0	Timing pulley (ML-3208-T5-16T)	1	
1 6	4719C	KC 4 7 0 1 9 0	Clamp (φ13)	1	
1 7	4879N00	KN 4 8 0 7 9 0	H center guide rail base	1	
1 8	4827C	KC 4 8 0 2 7 0	Timing pulley shaft (Front)	1	
1 9	4754C	KC 4 7 0 5 4 0	Timing pulley	1	
2 0	4841H	HH 4 8 0 4 1 0	Timing pulley shaft bush	1	
2 1	91252	A 9 0 1 2 0 5 2	E Ring (φ10)	1	
2 2	4596C	KC 4 5 0 9 6 0	Pantograph stop sensor plate (H)	1	
2 3	4548C	KC 4 5 0 4 8 0	Pantograph stop bar	1	
2 4	4832C	KC 4 8 0 3 2 0	Slide pack guide rail (400L)	1	
2 5	4803C	KC 4 8 1 2 3 0	H center guide cover R (JRC)	1	
2 6	1463C	KC 1 4 0 6 3 0	Table adjust plate No.2	2	
2 7	4804C	KC 4 8 1 2 4 0	H center guide rail base (JM-C)	1	
2 8	4518C	KC 4 5 0 1 8 0	Pantograph bar fixing base (R)	1	
2 9	4519C	KC 4 5 0 1 9 0	Pantograph bar fixing base (L)	1	
3 0			Butterfly bolt M5×15	2	
3 1			Hex. socket bolt M4×25		
3 2	4808C01	KU 4 8 1 2 8 1	H center guide	2	
3 3	4806C	KC 4 8 1 3 6 0	H center guide side cover (L)	1	
3 4			Screw M4×6		
3 5			Hex. socket bolt M4×8		
3 6			Hex. socket bolt M3×12		
3 7			Hex. socket bolt M5×15		
3 8			Hex. socket bolt M4×20		
3 9			Hex. socket bolt M4×15		
4 0			Hex. nut M8		
4 1			Hex. bolt M4×25		
4 2			Hex. socket bolt M8×20		
4 3			Hex. socket bolt M6×18		
4 4	95333	A 9 0 5 3 0 3 3	Pantograph stopping single cable 0.75×180	1	

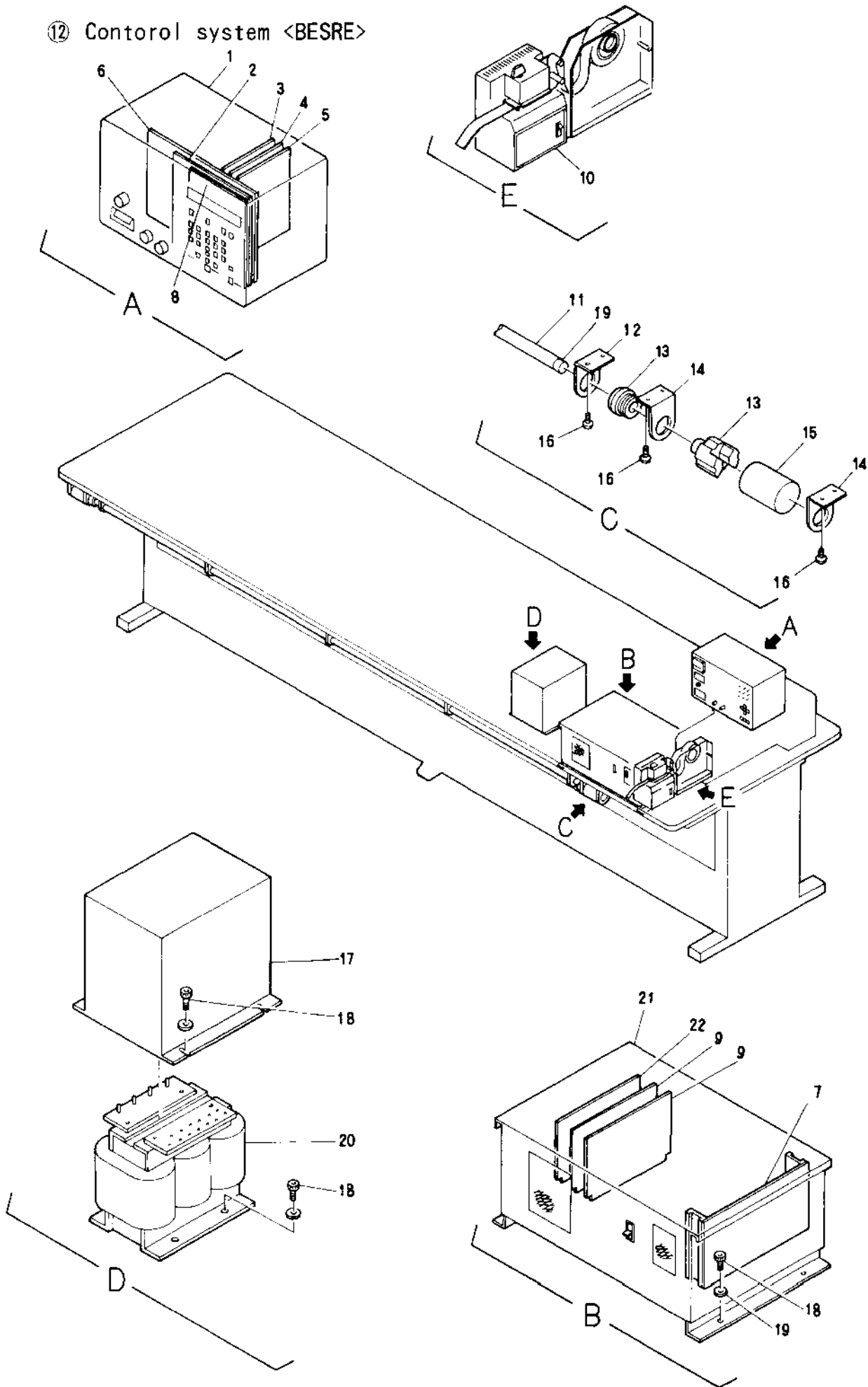
⑪ Pantograph drive mechanism (V) III



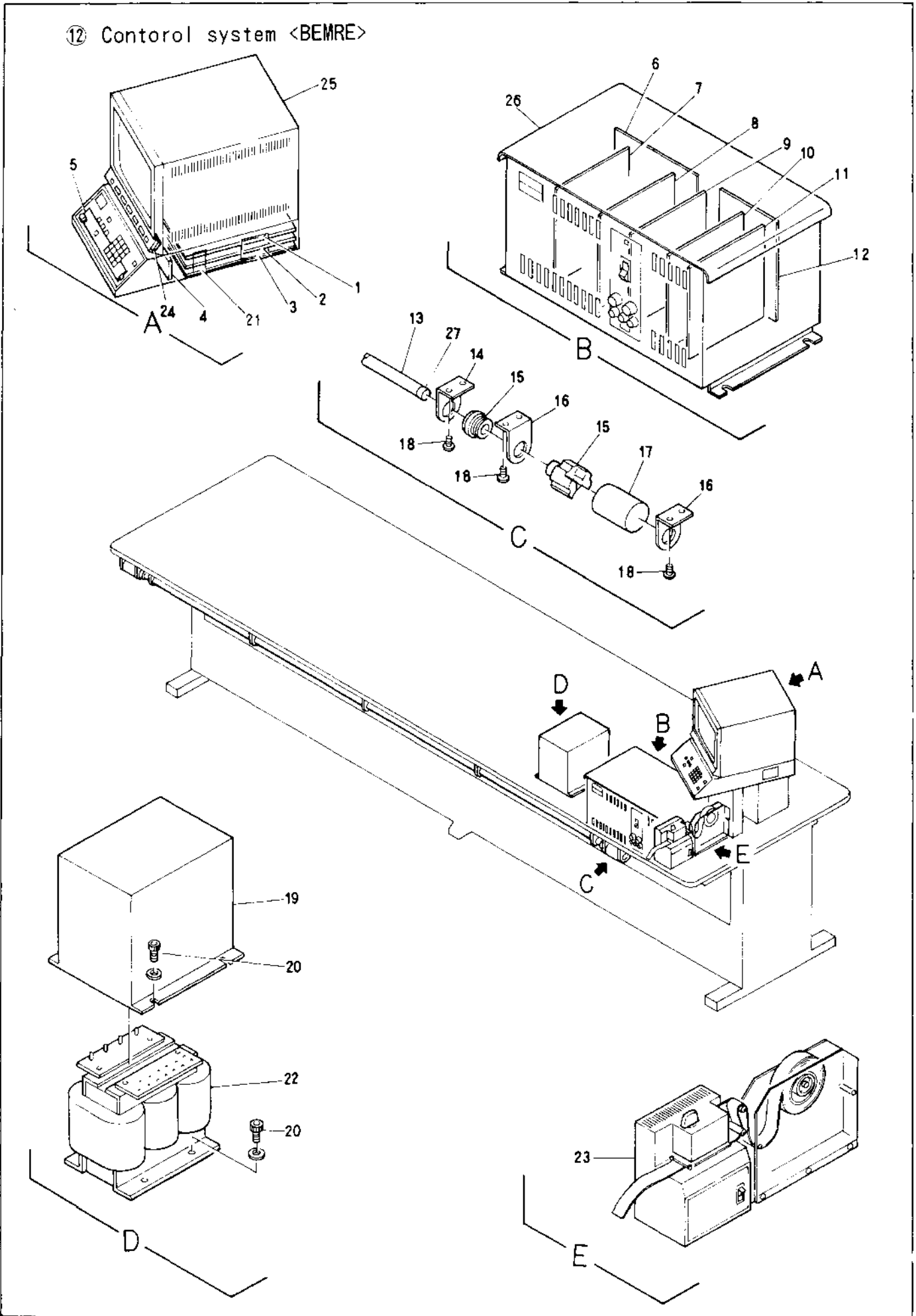
① Pantograph drive mechanism (V) III (※Change the PART NO. by machine type)

ITEM	PART No.	LIST No.	DESCRIPTION	Q'TY	REMARK
1	3311N00	KN 3 3 0 1 1 0	Control unit base	1	
2	48J0H	HH 4 8 1 9 0 0	Pulse motor (4M)	2	
3	48J9H01	HH 4 8 1 9 3 1	Pulse motor coupling	1	
4	4716N00	KN 4 7 0 1 6 0	Pulse motor bracket V	1	
5	4915N00	KN 4 9 0 1 5 0	Pulse motor coupling	1	
6	48T9P00	HP 4 8 2 9 9 0	Pantograph driving pulley (Rear) S5M	1	
7	4914N00	KN 4 9 0 1 4 0	V timing belt shaft	1	
8	4913N00	KN 4 9 0 1 3 0	V timing belt shaft bearing housing	1	
9	4912N00	KN 4 9 0 1 2 0	Bearing bracket	1	
10	91163	A 9 0 1 1 0 6 3	Needle bearing TLA2016	1	
11	48J7H	HH 4 8 1 9 7 0	Pulse motor connecting shaft collar	1	
12	91006	A 9 0 1 0 0 0 6	Bearing (625ZZ) (1650)	2	
13	4822C	KC 4 8 0 2 6 0	Bearing shaft	2	
14	4803N00	KN 4 8 2 6 3 0	V Timing fixing buckle No1	1	
15	4823C02	KC 4 8 0 2 3 1	V-slide pack base	1	
16	4597C	KC 4 5 0 9 7 0	Pantograph stopping sensor plate (V)	1	
17	4838C	KC 4 8 0 3 8 0	Spacer (FBW 3590)	6	
18	4831H	HH 4 8 0 3 1 0	Slide pack (FBW 3590)	1	
19	92098	A 9 0 2 0 0 9 8	Timing belt 300S5M2000	1	
20	4830H	HH 4 8 0 3 0 0	Guide rail (1060L)	2	
21			Hex. socket bolt M4×12		
22	4813C01	KC 4 8 0 1 3 1	V guide rail base (For V stroke 480)	1	※
23	91252	A 9 0 1 2 0 5 2	E-ring	1	
24	48T8P00	HP 4 8 2 9 8 0	Pantograph driving pulley (Front) S5M	1	
25	91179	A 9 0 1 1 0 7 9	Needle bearing TA-1225	1	
26	48J9H01	HH 4 8 1 9 9 1	Timing pulley shaft	1	
27			Hex. bolt M4×40		
28			Hex. nut M4		
29	48L1H	HH 4 8 2 1 1 0	Pulley shaft bolt cap	1	
30			Hex. bolt M4×25		
31			Hex. nut M8		
32	4746C	KC 4 7 0 4 6 0	V-guide rail base bracket	1	
33	4519C	KC 4 5 0 1 9 0	Pantograph stopping bar fixing base (L)	1	
34	4547C	KC 4 5 0 4 7 0	Pantograph stopping collar	2	
35			Butterfly bolt M5×15	2	
36	4548C	KC 4 5 0 4 8 0	Pantograph stopping bar	1	
37	4518C	KC 4 5 0 1 8 0	Pantograph stopping bar fixing base R	1	
38	95333	A 9 0 5 3 0 3 3	Pantograph stopping single cable 0.75×180	1	
39			Hex. socket bolt M6×25		
40			Hex. socket bolt M5×28		
41			Hex. socket set screw M5×8		
42			Hex. socket bolt M4×8		
43			Hex. socket bolt M5×12		
44			Flush screw M4×6		
45			Flush screw M4×6		

⑫ Control system <BESRE>



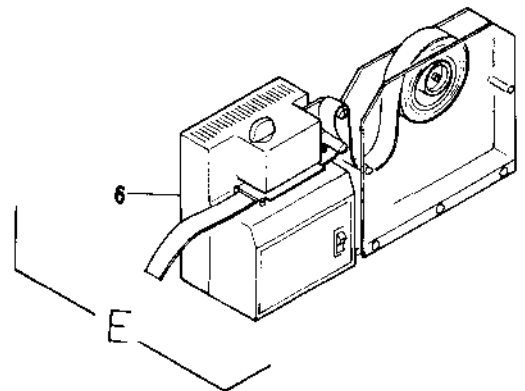
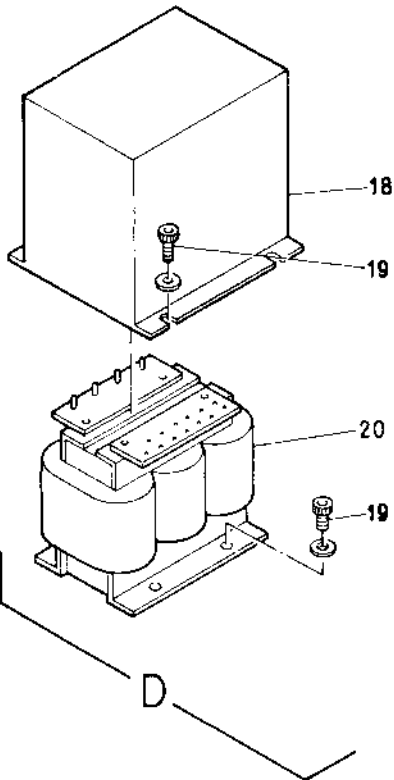
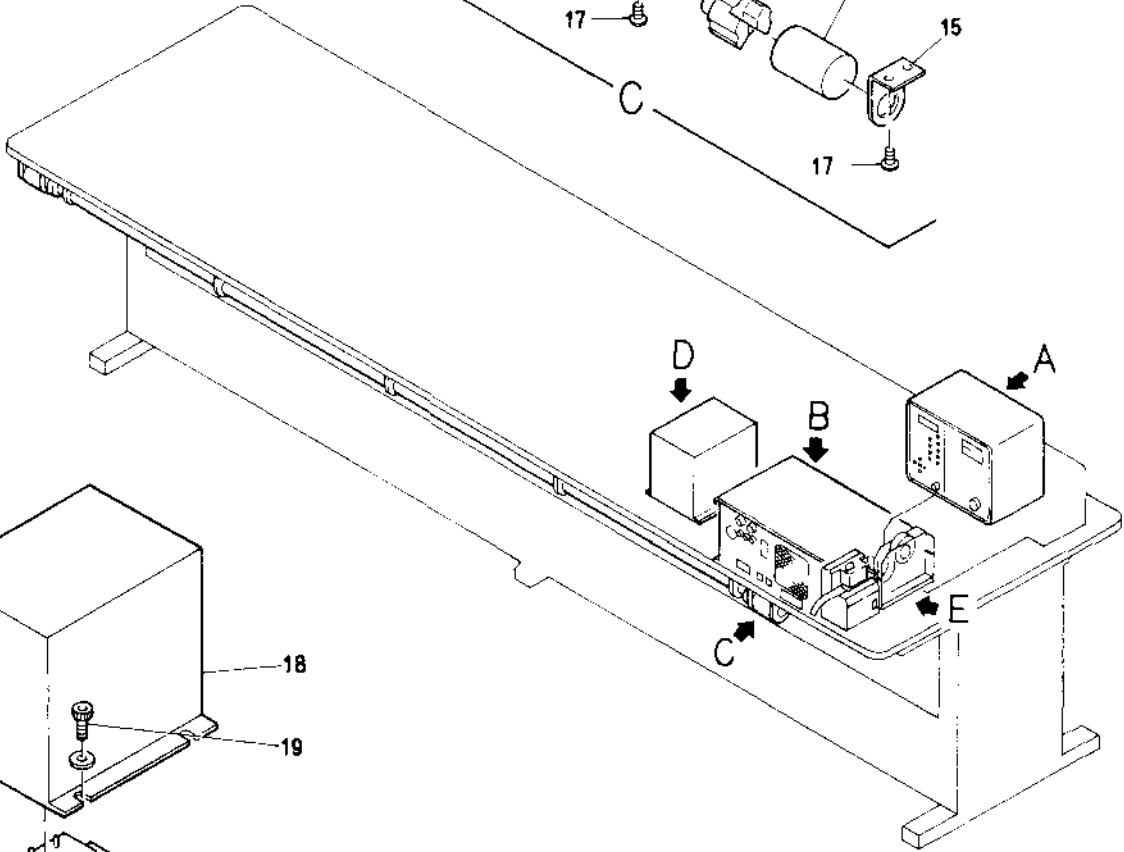
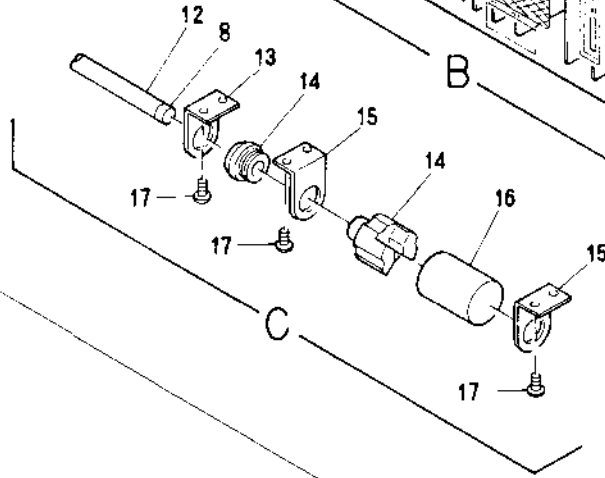
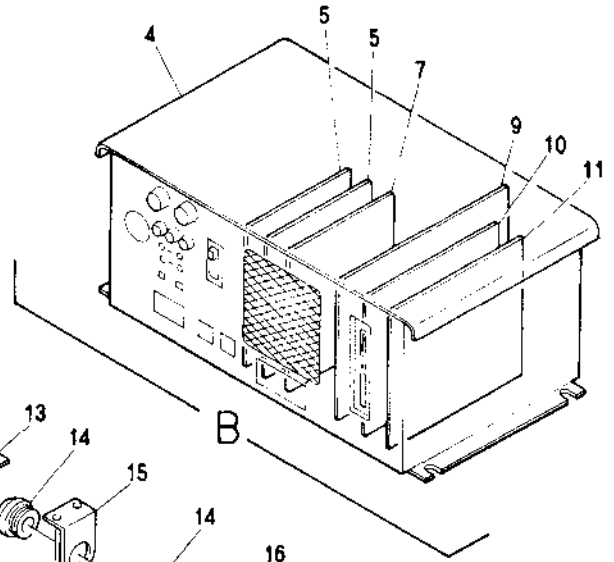
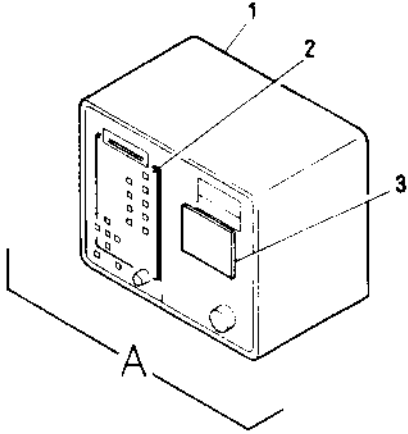
⑫ Control system <BEMRE>



⑫ Control system <BEMRE>

ITEM	PART No.	LIST No.	DESCRIPTION	QTY	REMARK
1	55R0000	E B Y 0 0 4 5 0	4410 CPU board	1	
2	55R0010	E B Y 0 0 4 6 0	4420 Memory board	1	
3	55R0020	E B Y 0 0 4 7 0	4430 FDSP board	1	
4	55R0030	E B Y 0 0 4 8 0	4440 B/B board	1	
5	55R0040	E B Y 0 0 4 9 0	4450 Buzzer board	1	
6	55R0120	E B Y 0 0 5 7 0	4590 B/B.L board	1	
7	5530090	E B Y 0 0 5 4 0	4540 Pulse motor control board	1	
8	55R0080	E B Y 0 0 5 3 0	4530 Inverter board	1	
9	55R0100	E B Y 0 0 5 5 0	4560 Power control board	1	
10	55R0070	E B Y 0 0 5 2 0	4520 Solenoid board	1	
11	55R0060	E B Y 0 0 5 1 0	4510 Interface board	1	
12	55R0110	E B Y 0 0 5 6 0	4580 B/B.R board	1	
13	5316F	K F 5 3 0 1 6 0	Bar switch	2	
14	5324000	K C 5 3 0 2 4 0	Bar switch bracket (S. for cylinder)	5	
15	5311F	K F 5 3 0 1 1 0	Push button switch MS320 (Red)	1	
	5312F	K F 5 3 0 1 2 0	Push button switch MS319 (Green)	1	
16	5323000	K F 5 3 0 2 3 0	Bar switch bracket (L. for cylinder)	4	
17	5315F	K F 5 3 0 1 5 0	Push button switch cap	2	
18			Tapping screw M4×20		
19	5202C	K C 5 2 0 0 2 0	Transformer cover set	1	
20			Hex. socket bolt M6×30		
21	55R0140	E B Y 0 0 6 3 0	Floppy disk drive FD-1137C	1	
22	51G4NA3	E A Y 0 1 8 A 3	Automat transformer (BEMR) 1P	1	
	51G3NA3	E A Y 0 1 7 A 3	Automat transformer (BEMR) 3P	1	
23	5222C	K C 5 2 0 2 2 0	Tape reader PTR-5	1	
24	55R0050	E B Y 0 5 0 0	4460 Switch board	1	
25	51G3NA1	E A Y 0 1 7 A 1	Automat controller (BEMR)	1	
26	51G3NA2	E A Y 0 1 7 A 2	Automat driver (BEMR)	1	
27	5317F	K F 5 3 0 1 7 0	Bar switch cap	2	

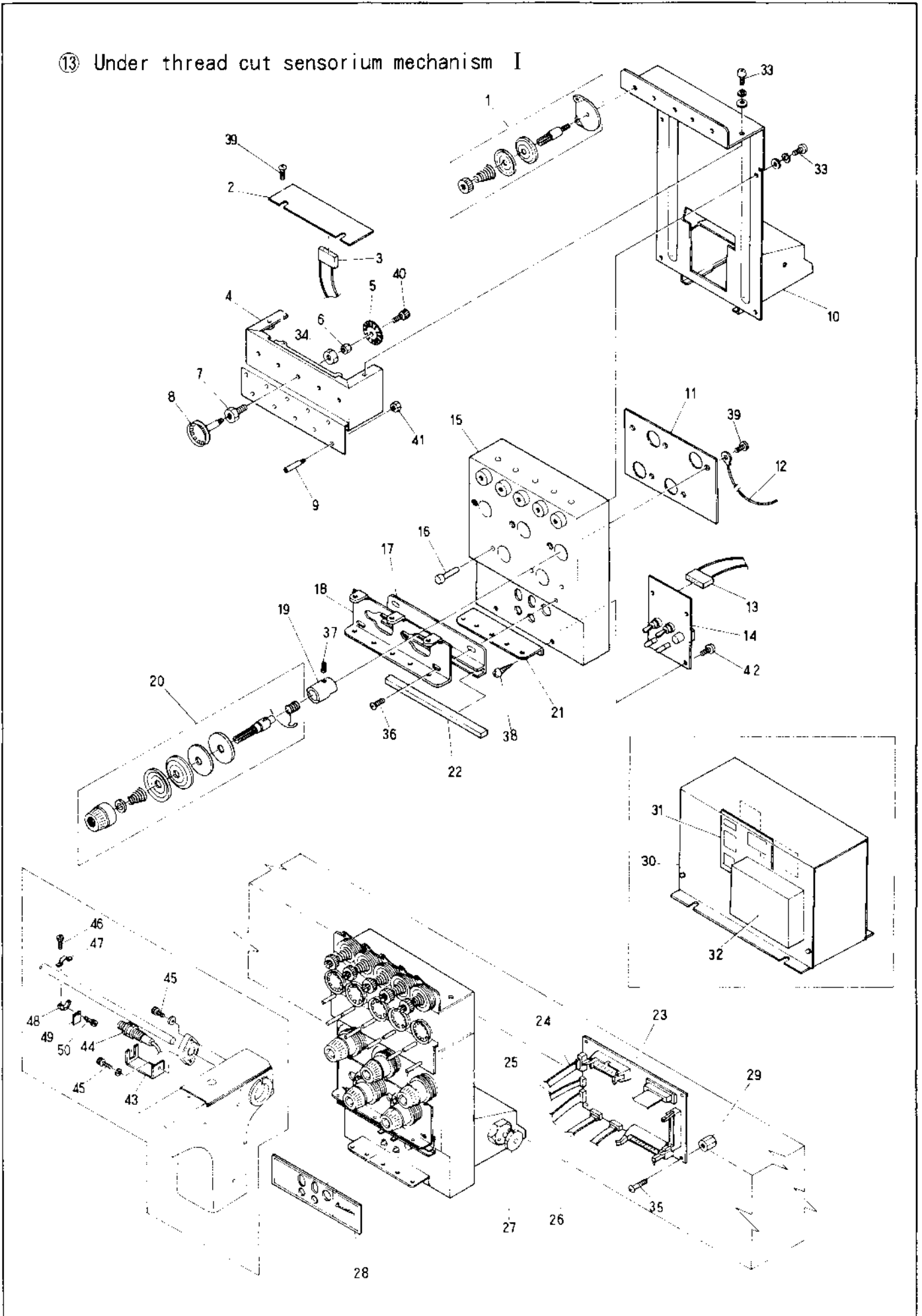
⑫ Control system <BEXE>



⑫ Control system <BEXE>

ITEM	PART No.	LIST No.	DESCRIPTION	Q'TY	REMARK
1	51J3CA1	EAY011A1	Automat controller (BEX)	1	
2	55Y0050	EBY00340	4050 Display board	1	
3	55Y0060	EBY00350	4050 Relay board	1	
4	51J3CA2	EAY011A2	Automat driver (BEX) 3P	1	
	51L3CA2	EAY012A2	Automat driver (BEX) 1P	1	
5	55C0110	EBY00110	3470 Transistor board J3, J4	2	
6	52220	KC020220	Tape reader PTR-5	1	
7	55C0070	EBY00080	3482 Driver control board	1	
8	5317F	KF530170	Bar switch cap	2	
9	55Y0020	EBY00280	404X Motor driving board (BEX) 3P	1	
	55Y0100	EBY00640	404X Motor driving board (BEX) 1P	1	
10	55Y0030	EBY00270	403X Interface board	1	
11	55X0130	EBY00590	4022 CPU board (BEX)	1	
12	5316F	KF530160	Bar switch	2	
13	5324C00	KC530240	Bar switch bracket (S. for cylinder)	5	
14	5311F	KF530110	Push button switch MS320 (Red)	1	
	5312F	KF530120	Push button switch MS319 (Green)	1	
15	5323C00	KC530230	Bar switch bracket (L. for cylinder)	4	
16	5315F	KF530150	Push button switch cap	2	
17			Tapping screw M4×20		
18	52020	KC520020	Transformer cover set	1	
19			Hex. socket bolt M6×30		
20	51J3CA3	EAY011A3	Automat transformer (X) 3P	1	
	51L3CA3	EAY012A3	Automat transformer (X) 1P	1	

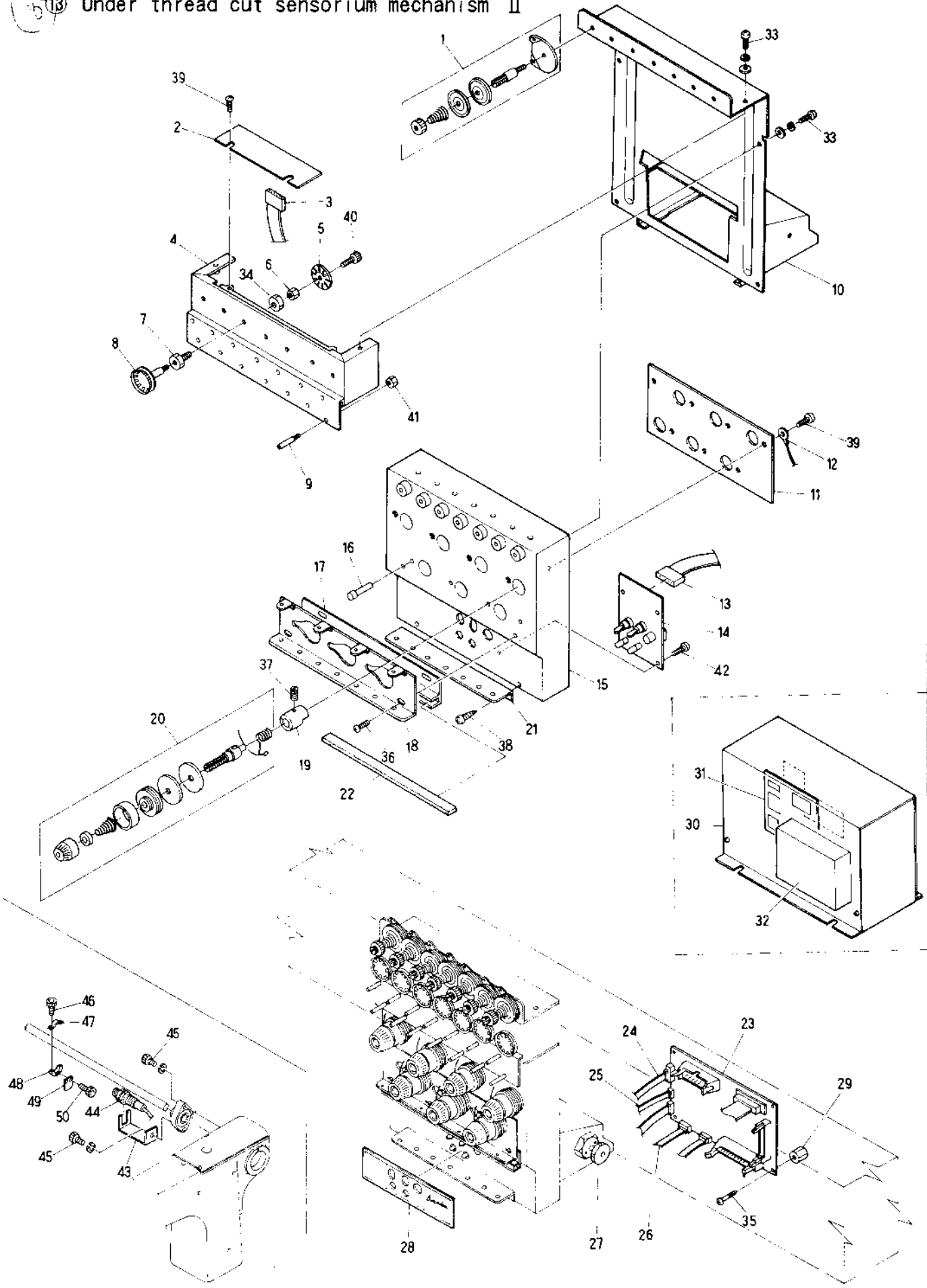
⑬ Under thread cut sensorium mechanism I



⑬ Under thread cut sensorium mechanism I

ITEM	PART No.	LIST No.	DESCRIPTION	QTY	REMARK
1	24A3G	KG 2 4 1 0 3 0	Upper tension unit complete US	5	
2	5463N00	KN 5 4 0 6 3 0	P.C board BAP-302-5 (5)	1	
3	5471N00	KN 5 4 0 7 1 0	Sensor cable 2	1	
4	5453N00	KN 5 4 0 5 3 0	Lower thread sensorium box (5)	1	
5	5452N00	KN 5 4 0 5 2 0	Lower thread sensorium sensor disk	5	
6	5451N00	KN 5 4 0 5 1 0	Tension wheel nut M2	5	
7	5461N00	KN 5 4 0 6 1 0	Wheel shaft metal	5	
8	5450N00	KN 5 4 0 5 0 0	Tension wheel shaft assy	5	
9	5459N00	KN 5 4 0 5 9 0	Thread guide pin	10	
10	5455N00	KN 5 4 0 5 5 0	Tension base (5)	1	
11	24D7P01	HP 2 4 1 3 7 1	Tension earth plate	1	
12	24D9P00	HP 2 4 1 3 9 0	Tension earth cable	1	
13	5472N00	KN 5 4 0 7 2 0	Switch cable 3	1	
14	5465N00	KN 5 4 0 6 5 0	P.C board BAP-303	1	
15	5457N00	KN 5 4 0 5 7 0	Tension base (5)	1	
16	24B6P00	HP 2 4 1 1 6 0	Upper thread sensorium pin	5	
17	24E5P00	HP 2 4 1 4 5 0	Thread guide felt fixing plate (5)	1	
18	24B7P00	HP 2 4 1 1 7 0	First thread guide (5)	1	
19	24B5P00	HP 2 4 1 1 5 0	Base (with screw)	5	
20	5476N00	KN 5 4 0 7 6 0	Dial type tension unit complete	5	
21	24B9P00	HP 2 4 1 1 9 0	Second thread guide plate (5)	1	
22	24E7P00	HP 2 4 1 4 7 0	Thread guide felt (5)	1	
23	5482N00	KN 5 4 0 6 2 0	P.C board BAP-301	1	
24	5475N00	KN 5 4 0 7 5 0	Thread cut cable 5	1	
25	5473N00	KN 5 4 0 7 3 0	Jamp cable 4	2	
26	5470N00	KN 5 4 0 7 0 0	Cable 1	2	
27	2403F	KN 2 4 0 0 3 0	Cancelling pin assy	1	
28	5478N00	KN 5 4 0 7 8 0	Tension base label	1	
29	5480N00	KN 5 4 0 6 0 0	Board fixing nut	4	
30	5466N00	KN 5 4 0 6 6 0	Control box	1	
31	5481N00	KN 5 4 0 8 1 0	P.C board BAP-304	1	
32	5482N00	KN 5 4 0 8 2 0	Power box K50-12	1	
33			Pan screw M4×8		
34			Hex. nut M8		
35			Truss screw M3×6		
36			Truss screw M4×6		
37			Set screw M4×6		
38			Tapping pan screw 3.5×8		
39			Truss screw M3×4		
40			Hex. socket bolt M2×3		
41			Hex. nut M2.6		
42			Truss screw M3×8		
43	5414L00	KL 5 4 0 1 4 0	Lower thread timing sensor bracket	1	
44	5413F	KF 5 4 0 1 3 0	Lower thread sensorium timing sensor (TLX5)	1	
45			Hex. socket bolt M6×30	1	

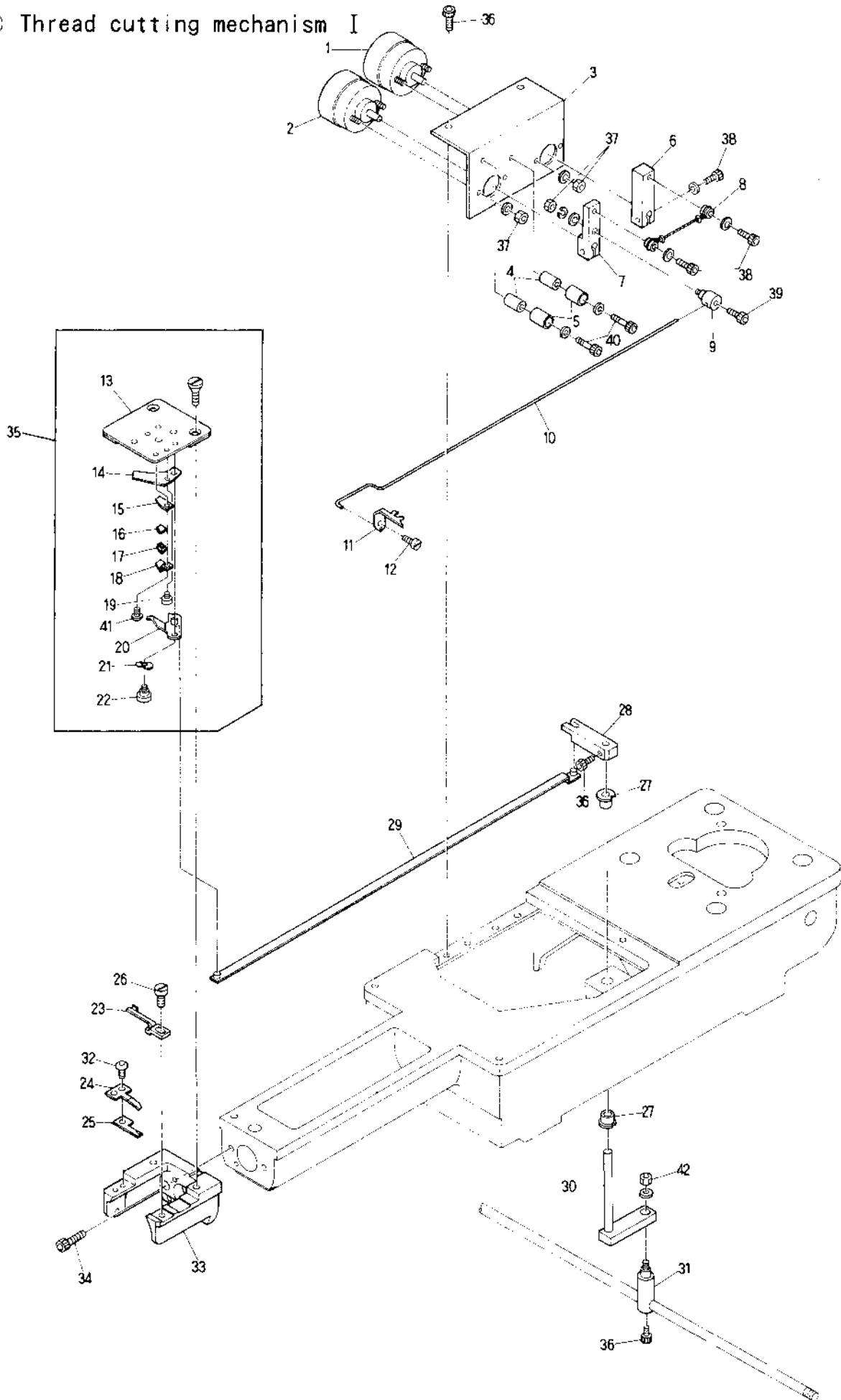
13 Under thread cut sensorium mechanism II



⑬ Under thread cut sensorium mechanism II

ITEM	PART No.	LIST No.	DESCRIPTION	Q'TY	REMARK
1	24A3G	KG 2 4 1 0 3 0	Upper tension unit complete	7	
2	5464N00	KN 5 4 0 6 4 0	P.C board BAP-302-7 (7)	1	
3	5471N00	KN 5 4 0 7 1 0	Sensor cable 2	1	
4	5454N00	KN 5 4 0 5 4 0	Lower thread sensorium box (7)	1	
5	5452N00	KN 5 4 0 5 2 0	Lower thread sensorium sensor disk	7	
6	5451N00	KN 5 4 0 5 1 0	Tension wheel nut M2	7	
7	5461N00	KN 5 4 0 6 1 0	Wheel shaft metal	7	
8	5450N00	KN 5 4 0 5 0 0	Tension wheel shaft assy	7	
9	5459N00	KN 5 4 0 5 9 0	Thread guide pin	14	
10	5456N00	KN 5 4 0 5 6 0	Tension base (7)	1	
11	24D8P01	HP 2 4 1 3 8 1	Tension earth plate (7)	1	
12	24D9P00	HP 2 4 1 3 9 0	Tension earth cable	1	
13	5472N00	KN 5 4 0 7 2 0	Switch cable 3	1	
14	5465N00	KN 5 4 0 6 5 0	P.C board BAP-303	1	
15	5458N00	KN 5 4 0 5 8 0	Tension base (7)	1	
16	24B6P00	HP 2 4 1 1 6 0	Upper thread sensorium pin	7	
17	24E6P00	HP 2 4 1 4 6 0	Thread guid felt fixing plate	1	
18	24B8P00	HP 2 4 1 1 8 0	First thread guide	1	
19	24B5P00	HP 2 4 1 1 5 0	Base (with screw)	7	
20	5476N00	KN 5 4 0 7 6 0	Dial type tension unit complete	7	
21	24C0P00	HP 2 4 1 2 0 0	Second thread guide plate (7)	1	
22	24E8P00	HP 2 4 1 4 8 0	Thread guide felt (7)	1	
23	5462N00	KN 5 4 0 6 2 0	P.C board BAP-301	1	
24	5475N00	KN 5 4 0 7 5 0	Thread cut cable (7)	1	
25	5473N00	KN 5 4 0 7 3 0	Jamp cable 4	2	
26	5470N00	KN 5 4 0 7 0 0	Cable 1	2	
27	2403F	KN 2 4 0 0 3 0	Cancelling pin assy	1	
28	5478N00	KN 5 4 0 7 8 0	Tension base label	1	
29	5460N00	KN 5 4 0 6 0 0	Board fixing nut	4	
30	5466N00	KN 5 4 0 6 6 0	Control box	1	
31	5481N00	KN 5 4 0 8 1 0	P.C board BAP-304	1	
32	5482N00	KN 5 4 0 8 2 0	Power box K50-12	1	
33			Pan screw M4×8		
34			Hex. nut M8		
35			Truss screw M3×6		
36			Truss screw M4×6		
37			Set screw M4×6		
38			Tapping pan screw 3.5×8		
39			Truss screw M3×4		
40			Hex. socket bolt M2×3		
41			Hex. nut M2.6		
42			Truss screw M3×8		
43	5414L00	KL 5 4 0 1 4 0	Lower thread timing sensor bracket	1	
44	5413F	KF 5 4 0 1 3 0	Lower thread sensorium timing sensor (TLX5)	1	
45			Hex. socket bolt M6×30	1	

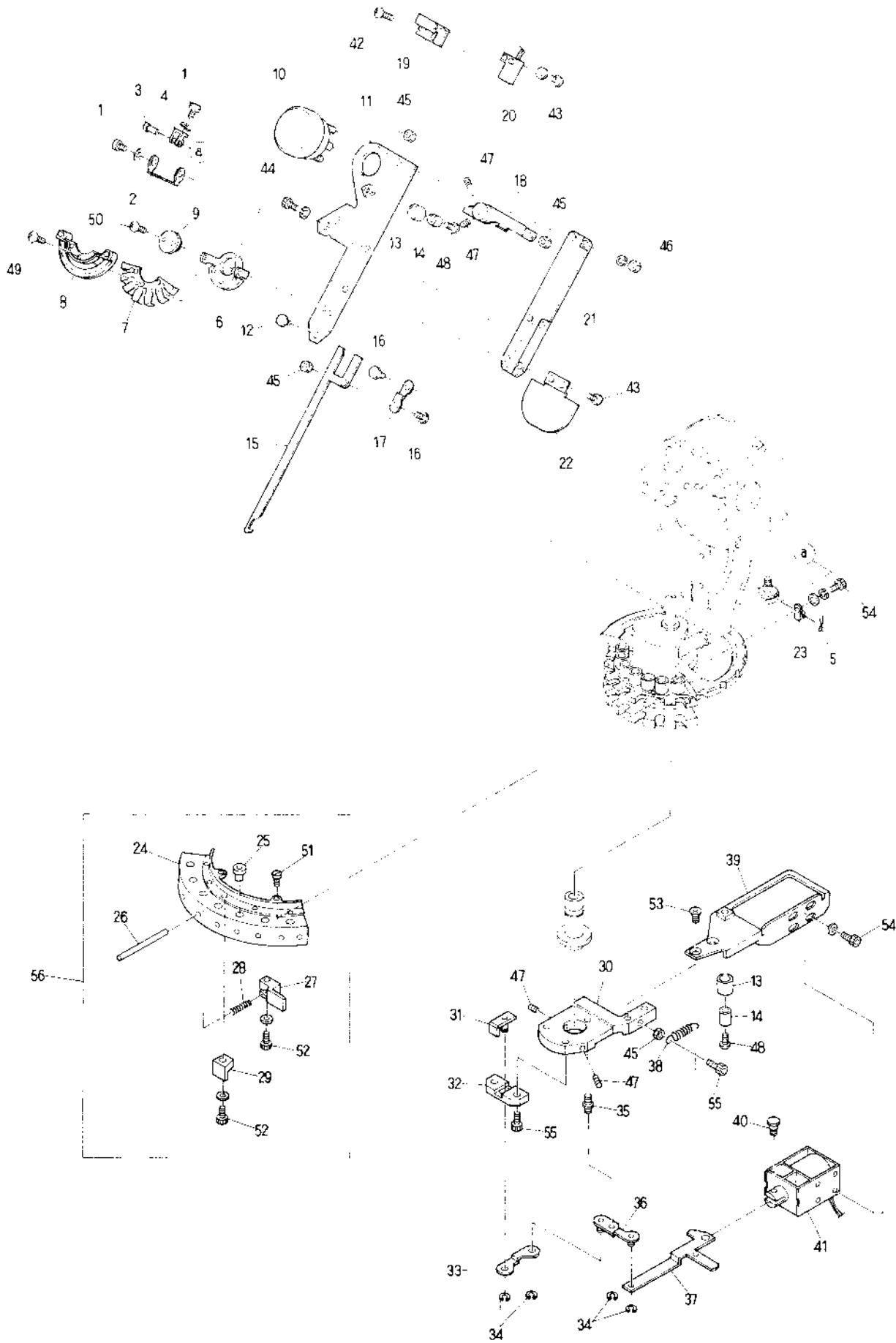
⑭ Thread cutting mechanism I



⑭ Thread cutting mechanism I

ITEM	PART No.	LIST No.	DESCRIPTION	Q'TY	REMARK
1	95612	A 9 0 5 6 0 1 2	Rotary solenoid (SEL25X3.8.9)	1	
2	95608	A 9 0 5 6 0 0 8	Rotary solenoid (SER25X3.8.9)	1	
3	27J6C	KC 2 7 1 9 6 0	Solenoid stay	1	
4	27D5M01	KN 2 7 1 6 5 1	Stopper eccentric	2	
5	27G6N01	KN 2 7 1 6 6 1	Eccentric cover	2	
6	27J5C	KC 2 7 1 9 5 0	Solenoid lever B	1	
7	27J4C	KC 2 7 1 9 4 0	Solenoid lever A	1	
8	27J7C	KC 2 7 1 9 7 0	Drive rope	1	
9	27A4C01	KC 2 7 1 0 4 1	Connecting clamp	1	
10	27A3C01	KC 2 7 1 0 3 1	Hook drive rod	1	
11	27A2C01	KC 2 7 1 0 2 1	Hook	1	
12	27A0C	KC 2 7 1 0 0 0	Upper thread cutter turning shaft	1	
13	2794C	KC 2 7 0 9 4 0	Needle plate	1	
14	2796C	KC 2 7 0 9 6 0	Fixed cutter	1	
15	27C2C	KC 2 7 1 2 2 0	Lower thread support stay (Upper)	1	
16	27C1C01	KC 2 7 1 2 1 1	Magic tape (Upper)	1	
17	27C0C01	KC 2 7 1 2 0 1	Magic tape (Lower)	1	
18	27B9C01	KC 2 7 1 1 9 1	Lower thread support stay (Lower)	1	
19	2798C	KC 2 7 0 9 8 0	Fixed cutter set screw	1	
20	2795C	KC 2 7 0 9 5 0	Lower thread cutter	1	
21	91345	A 9 0 1 3 0 4 5	Wave washer (WW5)	1	
22	2797C	KC 2 7 0 9 7 0	Lower thread cutter turret shaft	1	
23	2264C01	KC 2 2 0 6 4 1	Bobbin case fixing plate	1	
24	27I9N00	KN 2 7 1 8 9 0	Cutter fixing plate	1	
25	27G0N00	KN 2 7 1 6 0 0	Upper thread cutter	1	
26			Screw (SM11/64 40×7)	1	
27	912B4	A 9 0 1 2 1 1 4	DU bush (MB0505-10F DU)	1	
28	27B2C	KC 2 7 1 1 2 0	Lower thread cutter drive lever (Upper)	1	
29	27A7C	KC 2 7 1 0 7 0	Lower thread cutter drive rod	1	
30	27B3C	KC 2 7 1 1 3 0	Lower thread cutter drive lever (Lower)	1	
31	2364F	TF 2 3 0 6 4 0	Lock connecting bar clamp	1	
32			Hex. socket bottom bolt M3×6	1	
33	2112L00	KL 2 1 0 1 2 0	Needle plate bracket (SRE-T)	1	
34			Hex. socket bolt M5×15	1	
35	27B8C	KC 2 7 1 1 8 0	Cylinder needle plate CMP	1	
36			Hex. socket bolt M4×8		
37			Hex. nut M3		
38			Hex. socket bolt M4×10		
39			Hex. socket bolt M3×5		
40			Hex. socket bolt M4×18		
41			Pan screw M3×3		
42			Hex. nut M4		

⑭ Thread cutting mechanism II

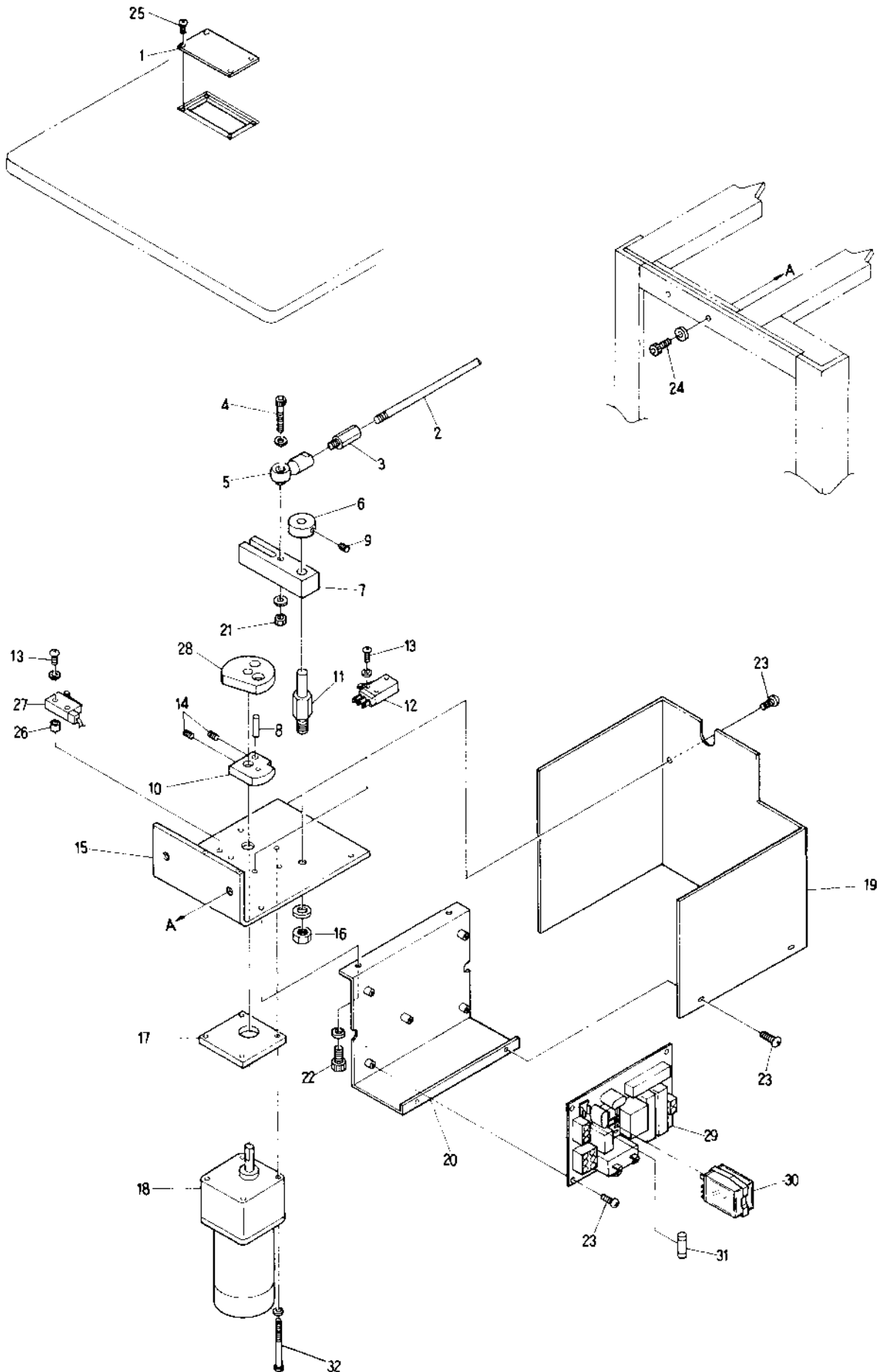


⑭ Thread cutting mechanism II

(N=needle 0'ty)

ITEM	PART No	LIST No	DESCRIPTION	Q'TY	REMARK
1	2722L00	KL 2 7 0 2 2 0	Link turret pin	2	
2	2721L00	KL 2 7 0 2 1 0	Link	1	
3	2724L00	KL 2 7 0 2 4 0	Link guide pin	1	
4	2723L00	KL 2 7 0 2 3 0	Connecting link	1	
5			Slit pin 0.8×8	1	
6	2718L00	KL 2 7 0 1 8 0	Thread hanger plate fixing plate	1	
7	2720L00	KL 2 7 0 2 0 0	Upper thread support plate spring	1	
8	2719L00	KL 2 7 0 1 9 0	Thread hanger plate	1	
9	2717L00	KL 2 7 0 1 7 0	Thread hanger plate turret pin	1	
10	95607	A 9 0 5 6 0 0 7	Rotary solenoid	1	
11	2708L00	KL 2 7 0 0 8 0	Thread away base	1	
12	2716L00	KL 2 7 0 1 6 0	Thread support open pin	1	
13	2715L00	KL 2 7 0 1 5 0	Eccentric cover	2	
14	2714L00	KL 2 7 0 1 4 0	Stopper eccent	2	
15	2710L00	KL 2 7 0 1 0 0	Thread away hook	1	
16	2713L00	KL 2 7 0 1 3 0	Lever connecting pin	2	
17	2712L00	KL 2 7 0 1 2 0	Connecting plate	1	
18	2711L00	KL 2 7 0 1 1 0	Thread away solenoid lever	1	
19	2726L00	KL 2 7 0 2 6 0	Switch stay	1	
20	95228	A 9 0 5 2 0 2 8	limit switch (RS-603)	1	
21	2709L00	KL 2 7 0 0 9 0	Thread away hook guide	1	
22	2727L00	KL 2 7 0 2 7 0	Thread away base cover	1	
23	2725L00	KL 2 7 0 2 5 0	Link driving pin	1	
24	2728C03	KC 2 7 0 2 8 3	Thread support apron (5)	1	
	2728C02	KG 2 7 0 2 8 2	Thread support apron (7)	1	
25	2358F	KF 2 3 0 5 8 0	Take up lever ceramic	N×1	
26	2731G	KG 2 7 0 3 1 9	Thread support pin (7)	N×1	
27	2730C01	KC 2 7 0 3 0 1	Thread support clamp	N×1	
28	2727C01	KC 2 7 0 2 7 1	Support spring	N×1	
29	2729C01	KC 2 7 0 2 9 2	Thread support block	N×1	
30	2700L00	KL 2 7 0 0 0 0	Fixing base	1	
31	2702L00	KL 2 7 0 0 2 0	Thread support slider	1	
32	2701L00	KL 2 7 0 0 1 0	Slide base	1	
33	2703L00	KL 2 7 0 0 3 0	Driving plate	1	
34	912C7	A 9 0 1 2 1 2 7	E-ring	4	
35	2704L00	KL 2 7 0 0 4 0	Lever turret pin	1	
36	2705L00	KL 2 7 0 0 5 0	Solenoid lever	1	
37	2706L00	KL 2 7 0 0 6 0	Lever connecting plate	1	
38	274CC	KC 2 7 0 4 0 0	Thread support lever spring	1	
39	2707L00	KL 2 7 0 0 7 0	Solenoid stay	1	
40	2710C01	KC 2 7 0 1 0 1	Solenoid pin	1	
41	95613	A 9 0 5 6 0 1 3	Keep solenoid	1	
42			Truss screw M3×10		
43			Truss screw M3×6		
44			Hex. socket bolt M4×12		

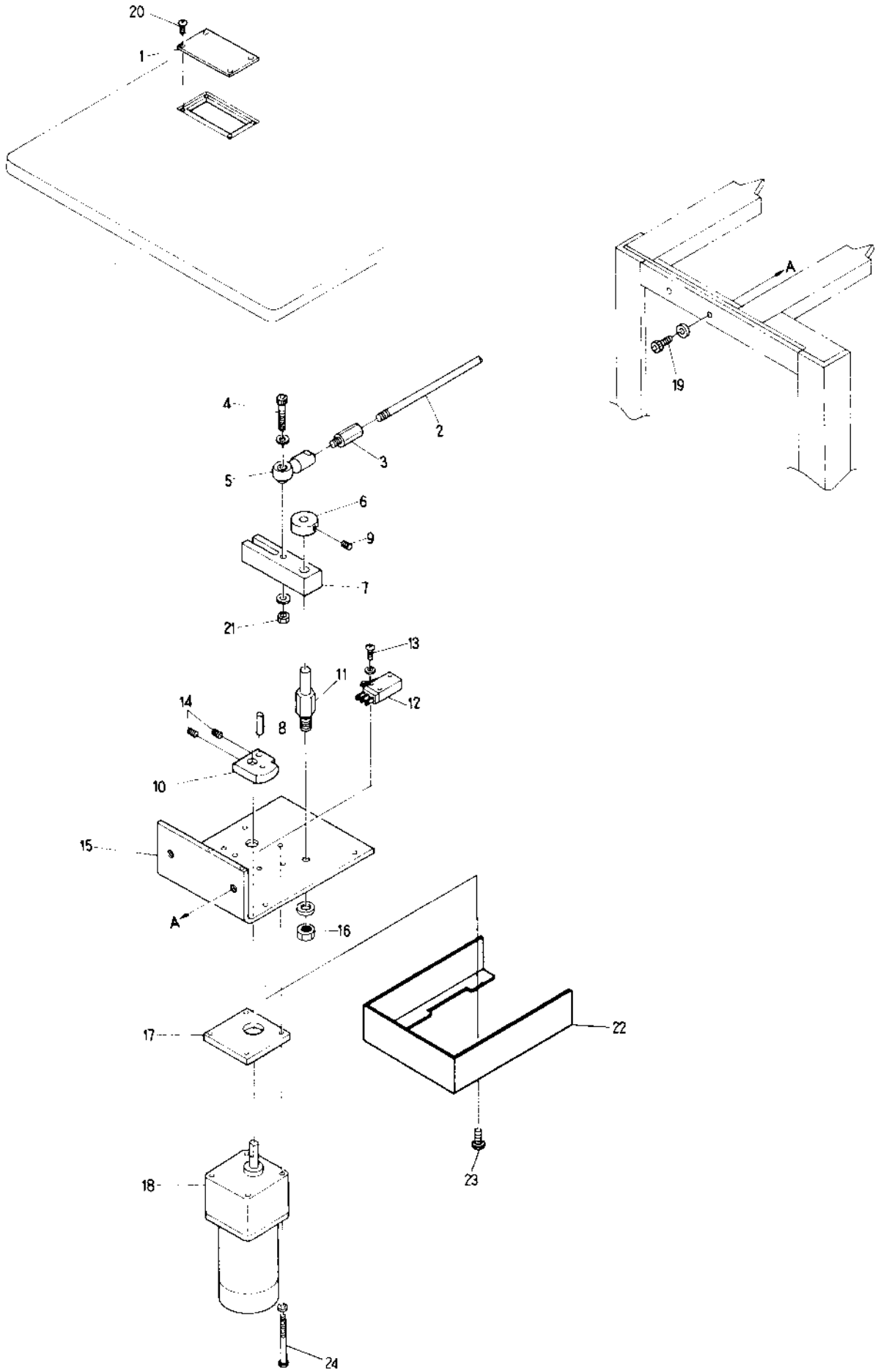
⑮ Thread cutting drive mechanism <BESRE, BEXE> III



⑮ Thread cutting drive mechanism <BESRE. BEXE> III

ITEM	PART No.	LIST No.	DESCRIPTION	QTY	REMARK
1	27E4C	KC 2 7 1 4 4 0	Drive servece cover	1	
2	3341C	KC 3 3 0 4 1 0	Lock connecting rod	1	
3	3351C	KC 3 3 0 5 1 0	Hex. connecting bar (L)	1	
4			Hex. socket bolt M6×20		
5	91202	A 9 0 1 2 0 0 2	Uniball joint R8 SLS	1	
6	3318C	KC 3 3 0 1 8 0	Collar	1	
7	27B4C	KC 2 7 1 1 4 0	Motor lever	1	
8	27A500	KN 2 7 2 3 5 0	Drive pin	1	
9			Hex. socket set screw M5×6		
10	27B700	KC 2 7 1 1 7 2	Drive cam	1	
11	27B501	KC 2 7 1 1 5 1	Motor lever turret shaft	1	
12	95205	A 9 0 5 2 0 0 5	Micro switch V-01L 2255	1	
13			Screw M3×15 M3×20		
14			Hex. socket set screw M5×8		
15	27B602	KC 2 7 1 1 6 2	Motor bracket	1	
16			Hex. nut M8		
17	27E3C	KC 2 7 1 4 3 0	Motor spacer	1	
18	95206	A 9 0 5 2 0 0 6	Motor RM-H6A8PEAA 6RH D36:	1	
19	27H1N00	KN 2 7 1 7 1 1	Motor bracket cover	1	
20	27E7C	KC 2 7 1 4 7 0	Board fixing stay	1	
21			Hex. nut M6		
22			Hex. socket bolt M5×8		
23			Screw M3 6		
24			Hex. socket bolt M8×30		
25			Flush screw M4×6		
26	2713N00	KN 2 7 1 8 3 0	Switch spacer	2	
27	95206	A 9 0 5 2 0 0 6	Limint switch D4MC-2020	1	
28	27D9C	KC 2 7 1 3 9 0	Dog	1	
29	55N0000	E B E 0 0 0 1 0	Thread cutter drive contorol board	1	
30	95103	A 9 0 5 1 0 0 3	LY-2 Relay	1	
31			Fuse 1A	1	
32			Pan screw M5×35		

⑮ Thread cutting drive mechanism <BEMRE> III



I N D E X

LIST No.	PART No.	PAGENO.	ITEM	LIST No.	PART No.	PAGENO.	ITEM
1A123804800	1C00010	5	11	A9053033	95333	29	38
1BL123804800	2B00010	5	1	A9056007	95607	43	10
1JP10430	7A07PLO	19	1	A9056008	95608	41	2
1LKC450020	7380C	23	13	A9056012	95612	41	1
1LKC450020	7380C	25	13	A9056013	95613	43	41
1PL12380480	3B00080	17	54	A9065026	96526	45	18
A9010006	91006	27	2	A9065026	96526	47	18
A9010006	91006	29	12	EAY009A1	51J2CA1	31	1
A9010009	91009	11	10	EAY009A2	51J2CA2	31	21
A9010017	91017	7	5	EAY009A3	51J2CA3	31	20
A9010017	91017	17	57	EAY010A2	51L2CA2	31	21
A9011001	91101	27	13	EAY010A3	51L2CA3	31	20
A9011017	91117	17	4	EAY011A1	51J3CA1	35	1
A9011021	91121	9	22	EAY011A2	51J3CA2	35	4
A9011022	91122	9	23	EAY011A3	51J3CA3	35	20
A9011023	91123	9	21	EAY012A2	51L3CA2	35	4
A9011028	91128	23	11	EAY012A3	51L3CA3	35	20
A9011028	91128	25	11	EAY017A1	51G3NA1	33	25
A9011063	91163	29	10	EAY017A2	51G3NA2	33	26
A9011079	91179	29	25	EAY017A3	51G3NA3	33	22
A9012001	91201	21	39	EAY018A3	51G4NA3	33	22
A9012002	91202	21	40	EBE00010	55N0000	45	29
A9012002	91202	45	5	EBY00060	55C0050	31	4
A9012002	91202	47	5	EBY00080	55C0070	31	22
A9012003	91203	9	58	EBY00080	55C0070	35	7
A9012005	91205	9	58	EBY00090	55C0080	31	3
A9012007	91207	7	34	EBY00110	55C0110	31	9
A9012027	91227	7	57	EBY00110	55C0110	35	5
A9012052	91252	27	21	EBY00150	55C0150	13	6
A9012052	91252	29	23	EBY00150	55C0150	15	6
A9012114	912B4	41	27	EBY00180	55C0180	21	6
A9012127	912C7	43	34	EBY00190	55C0190	31	2
A9012137	912D7	21	50	EBY00260	55Y0020	35	9
A9012143	912E3	21	47	EBY00270	55Y0030	35	10
A9012203	912K3	21	20	EBY00290	55N0040	31	7
A9013045	91345	37	21	EBY00300	55N0050	31	7
A9014063	91463	7	60	EBY00310	55N0060	31	6
A9020066	92066	17	43	EBY00320	55N0070	31	8
A9020098	92098	29	19	EBY00340	55Y0050	35	2
A9051003	95103	45	30	EBY00350	55Y0060	35	3
A9052005	95205	45	12	EBY00410	55N0090	31	5
A9052005	95205	47	12	EBY00450	55R0000	33	1
A9052006	95206	45	27	EBY00460	55R0010	33	2
A9052028	95228	43	20	EBY00470	55R0020	33	3
A9053033	95333	27	44	EBY00480	55R0030	33	4

I N D E X

LIST No.	PART No.	PAGENO.	ITEM	LIST No.	PART No.	PAGENO.	ITEM
EBY00490	55R0040	33	5	HP241150	24B5P00	39	19
EBY00510	55R0060	33	11	HP241160	24B6P00	13	3
EBY00520	55R0070	33	10	HP241160	24B6P00	15	3
EBY00530	55R0080	33	8	HP241160	24B6P00	37	16
EBY00540	55R0090	33	7	HP241160	24B6P00	39	16
EBY00550	55R0100	33	9	HP241170	24B7P00	13	9
EBY00560	55R0110	33	12	HP241170	24B7P00	37	18
EBY00570	55R0120	33	6	HP241170	24B7P00	39	18
EBY00590	55Y0130	35	11	HP241180	24B8P00	15	9
EBY00630	55R0140	33	21	HP241190	24B9P00	13	7
EBY00640	55Y0100	35	9	HP241190	24B9P00	37	21
EBY0500	55R0050	33	24	HP241190	24B9P00	39	21
HH120900	1290H	19	7	HP241200	24C0P00	15	7
HH320550	3255H	17	32	HP241210	24C1P00	11	18
HH170080	4708H	23	10	HP241371	24D7P01	13	4
HH470080	4708H	25	10	HP241371	24D9P00	15	5
HH470180	4718H	27	9	HP241371	24D9P00	37	11
HH480300	4830H	29	20	HP241371	24D9P00	39	11
HH180310	4831H	27	7	HP241381	24D8P01	15	4
HH480310	4831H	29	18	HP241390	24D9P00	13	5
HH480410	4841H	27	20	HP241390	24D9P00	37	12
HH481030	48A3H	27	5	HP241390	24D9P00	39	12
HH481900	48J0H	27	54	HP241400	24E0P00	13	13
HH481900	48J0H	29	2	HP241400	24E0P00	15	13
HH481931	48J3H01	27	52	HP241410	24E1P00	13	12
HH481931	48J3H01	29	3	HP241410	24E1P00	15	12
HH481931	48J3H01	25	8	HP241450	24E5P00	13	8
HH481970	48J7H	29	11	HP241450	24E5P00	37	17
HH481991	48J9H01	29	26	HP241450	24E5P00	39	17
HH482110	48L1H	29	29	HP241460	24E6P00	15	8
HP231290	23C9P00	9	29	HP241470	24E7P00	13	10
HP231301	23D0P01	9	27	HP241470	24E7P00	37	22
HP231310	23D1P00	9	24	HP241470	24E7P00	39	22
HP231330	23D3P00	11	9	HP241480	24E8P00	15	10
HP231340	23D4P00	9	55	HP250050	2505P00	13	17
HP231370	23D7P00	9	26	HP250581	2558P01	13	16
HP231390	23D9P00	7	13	HP250581	2558P01	15	16
HP240020	2402P00	11	1	HP312940	31T4N00	17	5
HP241110	24B1P00	13	2	HP313401	31Y0P01	17	44
HP241120	24B2P00	15	2	HP313430	31Y3P01	17	24
HP241130	24B3P00	11	19	HP313480	31Y8P00	17	23
HP241140	24B4P00	11	19	HP314631	31DZP01	17	47
HP241150	24B5P00	13	11	HP314670	31EDP00	17	8
HP241150	24B5P00	15	11	HP321140	32B4P00	17	59
HP241150	24B5P00	37	19	HP482980	48T8P00	29	24

I N D E X

LIST No.	PART No.	PAGE No.	ITEM	LIST No.	PART No.	PAGE No.	ITEM
HP 4 8 2 9 9 0	18T9P00	2 9	6	KC 2 7 1 1 6 2	27B6C02	4 5	1 5
HP 5 4 0 8 4 0	5484P00	3 7	4 9	KC 2 7 1 1 6 2	27B6C02	4 7	1 5
HP 5 4 0 8 4 0	5484P00	3 9	4 9	KC 2 7 1 1 7 2	27B7C02	4 5	1 0
HP 5 4 0 8 5 0	5485P00	3 7	4 7	KC 2 7 1 1 7 2	27B7C02	4 7	1 0
HP 5 4 0 8 5 0	5485P00	3 9	4 7	KC 2 7 1 1 8 0	27B8C	4 1	3 5
HP 5 4 0 8 6 0	5486P00	3 7	4 8	KC 2 7 1 1 9 1	27B9C01	4 1	1 8
HP 5 4 0 8 6 0	5486P00	3 9	4 8	KC 2 7 1 2 0 1	27C0C01	4 1	1 7
HP 7 1 0 7 9 0	7179P00	1 9	1 6	KC 2 7 1 2 1 1	27C1C01	4 1	1 6
HP 7 1 1 2 0 0	71C0P00	1 9	1 8	KC 2 7 1 2 2 0	27C2C	4 1	1 5
KC 0 2 0 2 2 0	5222C	3 5	6	KC 2 7 1 3 9 0	27D9C	4 5	2 8
KC 1 1 0 9 7 0	1197C	1 9	1 2	KC 2 7 1 4 3 0	27E3C	4 5	1 7
KC 1 2 0 8 4 1	1284C01	5	1 5	KC 2 7 1 4 3 0	27E3C	4 7	1 7
KC 1 2 0 8 6 0	1286C	5	1 0	KC 2 7 1 4 4 0	27E4C	4 5	1
KC 1 4 0 5 3 0	1453C	5	1 4	KC 2 7 1 4 4 0	27E4C	4 7	1
KC 1 4 0 5 4 0	1454C	5	1 6	KC 2 7 1 4 7 0	27E7C	4 5	2 0
KC 1 4 0 5 6 0	1456C	5	1 3	KC 2 7 1 9 4 0	27J4C	4 1	7
KC 1 4 0 6 3 0	1463C	2 7	2 6	KC 2 7 1 9 5 0	27J5C	4 1	6
KC 1 5 0 1 5 1	1515C01	5	1 9	KC 2 7 1 9 6 0	27J6C	4 1	3
KC 2 2 0 2 1 0	2221C	7	4 0	KC 2 7 1 9 7 0	27J7C	4 1	8
KC 2 2 0 6 4 1	2264C01	4 1	2 3	KC 3 1 0 1 1 0	3111C	1 7	4 0
KC 2 5 0 4 7 1	2547C01	7	5 5	KC 3 1 0 1 2 0	3112C	1 7	4 1
KC 2 5 0 4 8 1	2548C01	7	5 4	KC 3 1 2 8 0 0	31S0C	1 7	1 5
KC 2 7 0 1 0 1	2710C01	4 3	4 0	KC 3 1 2 8 3 1	31S3C01	1 7	4 5
KC 2 7 0 2 7 1	2727C01	4 3	2 8	KC 3 1 2 8 5 1	31S5C01	1 7	1 1
KC 2 7 0 2 8 3	2728C03	4 3	2 4	KC 3 1 2 8 9 0	31S9C	1 7	3 6
KC 2 7 0 2 9 2	2729C01	4 3	2 9	KC 3 1 2 9 1 1	31T1C01	1 7	2 8
KC 2 7 0 3 0 1	2730C01	4 3	2 7	KC 3 1 2 9 2 1	31T2C01	1 7	3 8
KC 2 7 0 4 0 0	2740C	4 3	3 8	KC 3 2 0 5 9 0	3259C	1 7	3 3
KC 2 7 0 7 6 1	2776C01	4 3	5 6	KC 3 2 0 8 2 0	3282C00	1 7	6 0
KC 2 7 0 9 4 0	2794C	4 1	1 3	KC 3 3 0 1 3 0	3313C	2 1	7
KC 2 7 0 9 5 0	2795C	4 1	2 0	KC 3 3 0 1 6 0	3316C	2 1	9
KC 2 7 0 9 6 0	2796C	4 1	1 4	KC 3 3 0 1 7 0	3317C	2 1	3
KC 2 7 0 9 7 0	2797C	4 1	2 2	KC 3 3 0 1 8 0	3318C	2 1	1 0
KC 2 7 0 9 8 0	2798C	4 1	1 9	KC 3 3 0 1 8 0	3318C	4 5	6
KC 2 7 1 0 0 0	27A0C	4 1	1 2	KC 3 3 0 1 8 0	3318C	4 7	6
KC 2 7 1 0 2 1	27A2C01	4 1	1 1	KC 3 3 0 1 9 0	3319C	2 1	8
KC 2 7 1 0 3 1	27A3C01	4 1	1 0	KC 3 3 0 2 1 0	3321C	2 1	2 5
KC 2 7 1 0 4 1	27A4C01	4 1	9	KC 3 3 0 2 3 0	3323C	2 1	4 8
KC 2 7 1 0 7 0	27A7C	4 1	2 9	KC 3 3 0 2 6 0	3326C	2 1	3 1
KC 2 7 1 1 2 0	27B2C	4 1	2 8	KC 3 3 0 2 8 0	3328C	2 1	2
KC 2 7 1 1 3 0	27B3C	4 1	3 0	KC 3 3 0 2 9 0	3329C	2 1	5 2
KC 2 7 1 1 4 0	27B4C	4 5	7	KC 3 3 0 4 1 0	3341C	9	1 5
KC 2 7 1 1 4 0	27B4C	4 7	7	KC 3 3 0 4 1 0	3341C	4 5	2
KC 2 7 1 1 5 1	27B5C01	4 5	1 1	KC 3 3 0 4 1 0	3341C	4 7	2
KC 2 7 1 1 5 1	27B5C01	4 7	1 1	KC 3 3 0 5 1 0	3351C	2 1	3 8

I N D E X

LIST No.	PART No.	PAGENO.	ITEM	LIST No.	PART No.	PAGENO.	ITEM
KC 330510	3351C	45	3	KC 481360	48D6C	27	33
KC 330510	3351C	47	3	KC 520020	5202C	33	19
KC 330610	3361C	21	21	KC 520020	5202C	31	17
KC 330810	3381C	21	27	KC 520020	5202C	35	18
KC 330850	3385C	21	43	KC 520220	5222C	33	23
KC 330910	3391C	21	32	KC 520220	5222C	31	10
KC 450180	4518C	27	28	KC 530230	5323C00	33	16
KC 450180	4518C	29	37	KC 530230	5323C00	31	14
KC 450190	4519C	27	29	KC 530230	5323C00	35	15
KC 450190	4519C	29	33	KC 530240	5324C00	33	14
KC 450470	4547C	27	51	KC 530240	5324C00	31	12
KC 450470	4547C	29	34	KC 530240	5324C00	35	13
KC 450480	4548C	27	23	KC 330310380	3331C	9	56
KC 450480	4548C	29	36	KF 220130	2213F	7	11
KC 450730	4573C	23	1	KF 220230	2223F	7	44
KC 450730	4573C	25	1	KF 220270	2227F	7	27
KC 450960	4596C	27	22	KF 220290	2229F	7	37
KC 450970	4597C	29	16	KF 220310	2231F	7	49
KC 470190	4719C	27	16	KF 220370	2237F	7	52
KC 470460	4746C	29	32	KF 220410	2241F	7	51
KC 470520	4752C	27	15	KF 220460	2246F	7	19
KC 470540	4754C	27	19	KF 220470	2247F	7	26
KC 470590	4759C	27	11	KF 220480	2248F	7	35
KC 470620	4762C	27	14	KF 220750	2275F00	7	49
KC 470640	4764C	27	11	KF 230010	2301F	9	42
KC 470650	4765C	27	6	KF 230150	2315F	9	59
KC 480131	4813C01	29	22	KF 230150	2315F	21	22
KC 480190	4819C	23	7	KF 230180	2318F	9	43
KC 480210	4821C	27	4	KF 230210	2321F	9	45
KC 480231	4823C01	29	15	KF 230230	2323F	9	49
KC 480240	4824C	27	1	KF 230240	2324F	9	50
KC 480260	4826C	27	3	KF 230250	2325F	9	51
KC 480260	4826C	29	13	KF 230320	2332F	9	2
KC 480270	4827C	27	18	KF 230360	2336F	21	17
KC 480320	4832C	27	24	KF 230420	2342F	7	30
KC 480330	4833C	27	10	KF 230450	2345F	9	28
KC 480350	4835C	23	15	KF 230480	2348F	9	30
KC 480350	4835C	25	15	KF 230500	2350F	9	37
KC 480380	4838C	29	17	KF 230512	2351F02	9	3
KC 481230	48C3C	27	25	KF 230521	2352F01	9	4
KC 481240	48C4C	27	27	KF 230580	2358F	9	40
KC 481250	48C5C	25	16	KF 230580	2358F	43	25
KC 481260	48C6C	23	8	KF 230630	2363F	9	10
KC 481260	48C6C	25	6	KF 230630	2363F	21	42
KC 481281	48C8C01	27	32	KF 230640	2364F	9	12

I N D E X

LIST No.	PART No.	PAGENO.	ITEM	LIST No.	PART No.	PAGENO.	ITEM
KF 2 3 0 6 5 0	2365F	9	9	KG 2 3 0 6 1 0	2361G	2 1	4 9
KF 2 3 0 6 6 1	2366F01	9	1 9	KG 2 4 1 0 2 0	24A2G	1 3	1
KF 2 3 0 6 7 0	2367F	9	2 0	KG 2 4 1 0 2 0	24A2G	1 5	1
KF 2 3 0 9 1 0	2391F	9	4 7	KG 2 4 1 0 3 0	24A3G	3 7	1
KF 2 3 0 9 2 0	2392F	9	4 6	KG 2 4 1 0 3 0	24A3G	3 9	1
KF 2 3 0 9 3 0	2393F	9	4 8	KG 2 4 1 0 3 1	24A3G01	1 9	1 7
KF 2 4 0 0 3 0	2403F	1 1	2	KG 2 5 0 0 1 0	2501G	1 5	1 7
KF 2 4 0 4 2 0	2442F	1 1	1 3	KG 2 7 0 2 8 2	2728G02	4 3	2 4
KF 2 4 0 2 0 0	2420F00	1 1	3	KG 2 7 0 3 1 0	2731G	4 3	2 6
KF 2 4 0 4 4 0	2444F	1 1	4	KG 2 7 0 7 6 0	2776G	4 3	5 6
KF 2 4 0 4 5 0	2445F	1 1	5	KG 3 3 0 1 5 0	3315G	2 1	1 2
KF 2 4 0 4 6 0	2446F	1 1	1 2	KG 3 3 0 2 2 0	3322G	2 1	1 4
KF 2 4 0 4 7 0	2447F	1 1	1 1	KG 7 1 0 1 6 1	7116G01	1 9	1 9
KF 2 4 0 4 8 0	2448F	1 1	8	KL 1 1 0 9 1 0	1191L00	5	4
KF 2 4 0 4 9 0	2449F	1 1	7	KL 1 4 1 6 5 0	1465L00	5	6
KF 2 4 0 6 1 0	2461F	1 1	1 4	KL 1 4 1 6 6 0	1466L00	5	8
KF 2 4 0 9 0 0	2490F	1 9	2	KL 2 1 0 0 0 0	2100L00	7	2 3
KF 2 4 0 9 3 1	2493F01	1 3	1 5	KL 2 1 0 0 0 T	2100LOT	7	2 3
KF 2 4 0 9 3 1	2493F01	1 5	1 5	KL 2 1 0 0 1 0	2101L00	7	2 3
KF 2 5 0 9 0 0	2590F	7	4 2	KL 2 1 0 0 1 T	2101LOT	7	2 3
KF 3 3 0 3 8 1	3338F01	9	1 4	KL 2 1 0 1 2 0	2112L00	4 1	3 3
KF 5 3 0 1 1 0	5311F	3 3	1 5	KL 2 1 0 1 3 0	2113L00	7	4 7
KF 5 3 0 1 1 0	5311F	3 1	1 3	KL 2 1 0 1 4 0	2114L00	7	1 7
KF 5 3 0 1 1 0	5311F	3 5	1 4	KL 2 2 0 0 0 0	2200L00	7	1 6
KF 5 3 0 1 2 0	5312F	3 3	1 5	KL 2 2 0 0 1 0	2201L00	7	2 4
KF 5 3 0 1 2 0	5312F	3 1	1 3	KL 2 2 0 0 2 0	2202L00	7	2 9
KF 5 3 0 1 2 0	5312F	3 5	1 4	KL 2 2 0 0 3 0	2203L00	7	1 5
KF 5 3 0 1 5 0	5315F	3 3	1 7	KL 2 2 0 0 4 0	2204L00	7	6
KF 5 3 0 1 5 0	5315F	3 1	1 5	KL 2 2 0 0 5 0	2205L00	7	2 1
KF 5 3 0 1 5 0	5315F	3 5	1 6	KL 2 2 0 0 6 0	2206L00	7	2 5
KF 5 3 0 1 6 0	5316F	3 3	1 3	KL 2 2 0 0 7 0	2207L00	7	3 6
KF 5 3 0 1 6 0	5316F	3 1	1 1	KL 2 2 0 0 8 0	2208L00	7	1 2
KF 5 3 0 1 6 0	5316F	3 5	1 2	KL 2 2 0 0 9 0	2209L00	7	4
KF 5 3 0 1 7 0	5317F	3 3	2 7	KL 2 2 0 1 0 0	2210L00	7	1
KF 5 3 0 1 7 0	5317F	3 1	1 9	KL 2 2 0 1 1 0	2211L00	7	3
KF 5 3 0 1 7 0	5317F	3 5	8	KL 2 2 0 1 2 0	2212L00	7	4 1
KF 5 4 0 1 3 0	5413F	3 7	4 4	KL 2 2 0 1 3 0	2213L00	7	1 4
KF 5 4 0 1 3 0	5413F	3 9	4 4	KL 2 2 0 1 4 0	2214L00	7	2 0
KF 7 1 0 2 8 0	7128F	1 9	9	KL 2 2 0 1 5 0	2215L00	7	8
KF 7 3 0 7 9 0	7379F	2 3	1 4	KL 2 3 0 0 0 0	2300L00	9	1
KF 7 3 0 7 9 0	7379F	2 5	1 4	KL 2 3 0 0 1 0	2301L00	9	3 4
KG 1 5 0 4 1 2	1541G02	5	2	KL 2 3 0 0 2 0	2302L00	9	3 2
KG 2 1 0 9 1 1	2191G01	7	6 2	KL 2 3 0 0 3 0	2303L00	9	3 3
KG 2 3 0 0 2 0	2302G	9	4 4	KL 2 3 0 0 5 0	2305L00	9	5 4
KG 2 3 0 6 1 0	2361G	9	1 7	KL 2 3 0 0 7 0	2307L00	9	3 9

I N D E X

LIST No.	PART No.	PAGENO.	ITEM	LIST No.	PART No.	PAGENO.	ITEM
KL 230080	2308L00	9	39	KL 310040	3104L00	17	25
KL 230110	2311L00	9	53	KL 310051	3105L01	17	19
KL 230120	2312L00	9	53	KL 310060	3106L00	5	17
KL 230130	2313L00	9	52	KL 320000	3200L00	17	58
KL 230140	2314L00	9	31	KL 320020	3202L00	17	56
KL 230170	2317L00	9	35	KL 330010	3301L00	21	35
KL 230190	2319L00	9	41	KL 330020	3302L00	21	23
KL 230200	2320L00	9	41	KL 330040	3304L00	21	18
KL 230210	2321L00	9	60	KL 330050	3305L00	21	16
KL 230220	2322L00	9	60	KL 540140	3305L00	37	43
KL 250000	2500L00	15	14	KL 540140	3305L00	39	43
KL 250010	2501L00	13	14	KN 230410	2341N00	7	31
KL 250040	2504L00	7	7	KN 230430	2343N00	7	33
KL 250050	2505L00	7	59	KN 240030	2403F	37	27
KL 270000	2700L00	43	30	KN 240030	2403F	39	27
KL 270010	2701L00	43	32	KN 271600	27G0N00	41	25
KL 270020	2702L00	43	31	KN 271651	27G5N01	41	4
KL 270030	2703L00	43	33	KN 271661	27G6N01	41	5
KL 270040	2704L00	43	35	KN 271711	27H1N00	45	19
KL 270050	2705L00	43	36	KN 271712	27H1N02	47	22
KL 270060	2706L00	43	37	KN 271830	27I3N00	45	26
KL 270070	2707L00	43	39	KN 271890	27I9N00	41	24
KL 270080	2708L00	43	11	KN 272350	27N5N00	45	8
KL 270090	2709L00	43	21	KN 272350	27N5N00	47	8
KL 270100	2710L00	43	15	KN 312810	31S1N00	17	17
KL 270110	2711L00	43	18	KN 312820	31S2N00	17	30
KL 270120	2712L00	43	17	KN 313670	31AHN00	17	10
KL 270130	2713L00	43	16	KN 314590	31DVF00	17	46
KL 270140	2714L00	43	14	KN 314600	31DWF00	17	46
KL 270150	2715L00	43	13	KN 314610	31DXN00	17	46
KL 270160	2716L00	43	12	KN 314620	31DYN00	17	46
KL 270170	2717L00	43	9	KN 315110	31FVN00	17	42
KL 270180	2718L00	43	6	KN 315130	31FXN00	17	7
KL 270190	2719L00	43	8	KN 330110	3311N00	29	1
KL 270200	2720L00	43	7	KN 330121	3312N01	21	37
KL 270210	2721L00	43	2	KN 330240	3324Y00	21	45
KL 270220	2722L00	43	1	KN 330250	3325Y00	21	46
KL 270230	2723L00	43	4	KN 332010	33K1N00	21	37
KL 270240	2724L00	43	3	KN 470151	4715N01	27	56
KL 270250	2725L00	43	23	KN 470160	4716N00	29	4
KL 270260	2726L00	43	19	KN 470690	4769N00	27	12
KL 270270	2727L00	43	22	KN 480061	4806N01	27	59
KL 310010	3101L00	17	2	KN 480061	4806N01	29	52
KL 310020	3102L00	17	50	KN 480400	4840N00	23	2
KL 310030	3103L00	17	51	KN 480400	4840N00	25	2

I N D E X

LIST No.	PART No.	PAGENO.	ITEM	LIST No.	PART No.	PAGENO.	ITEM
KN 4 8 0 7 9 0	4879N00	2 7	1 7	KN 5 4 0 7 5 0	5475N00	3 9	2 4
KN 4 8 2 6 0 0	4890N00	2 3	7	KN 5 4 0 7 6 0	5476N00	3 7	2 0
KN 4 8 2 6 3 0	4893N00	2 9	1 4	KN 5 4 0 7 6 0	5476N00	3 9	2 0
KN 4 8 2 6 4 0	4894N00	2 9	5 1	KN 5 4 0 7 8 0	5478N00	3 7	2 8
KN 4 9 0 1 2 0	4912N00	2 9	9	KN 5 4 0 7 8 0	5478N00	3 9	2 8
KN 4 9 0 1 3 0	4913N00	2 9	8	KN 5 4 0 8 1 0	5418N00	3 7	3 1
KN 4 9 0 1 4 0	4914N00	2 9	7	KN 5 4 0 8 1 0	5418N00	3 9	3 1
KN 4 9 0 1 5 0	4915N00	2 9	5	KN 5 4 0 8 2 0	5482N00	3 7	3 2
KN 4 9 0 2 0 0	4920N00	2 7	8	KN 5 4 0 8 2 0	5482N00	3 9	3 2
KN 5 1 1 0 2 0	51A2N00	1 7	3 5	KN51040012300	5140C	1 3	1 8
KN 5 4 0 5 0 0	5450N00	3 7	8	KN51040012300	5140C	1 5	1 8
KN 5 4 0 5 0 0	5450N00	3 9	8	KU 4 7 0 1 1 0	4711U00	2 5	1 0
KN 5 4 0 5 1 0	5451N00	3 7	6	KU 4 7 0 1 5 1	4715U01	2 5	9
KN 5 4 0 5 1 0	5451N00	3 9	6	KU 4 8 0 1 6 0	4816U00	2 5	4
KN 5 4 0 5 2 0	5452N00	3 7	5	MA 2 2 0 5 1 0	2251A	7	4 5
KN 5 4 0 5 2 0	5452N00	3 9	5	MA 2 5 0 1 3 1	2513A01	7	4 3
KN 5 4 0 5 3 0	5453N00	3 7	4	MA 4 5 0 6 6 0	4566A	2 5	1
KN 5 4 0 5 4 0	5454N00	3 9	4	MA 4 7 1 0 2 0	47A2A	2 5	1 1
KN 5 4 0 5 5 0	5455N00	3 7	1 0	TF 2 3 0 6 4 0	2364F	4 1	3 1
KN 5 4 0 5 6 0	5456N00	3 9	1 0	WW 3 1 0 2 1 0	3121W00	1 7	3 1
KN 5 4 0 5 7 0	5457N00	3 7	1 5				
KN 5 4 0 5 8 0	5458N00	3 9	1 5				
KN 5 4 0 5 9 0	5459N00	3 7	9				
KN 5 4 0 5 9 0	5459N00	3 9	9				
KN 5 4 0 6 0 0	5460N00	3 7	2 9				
KN 5 4 0 6 0 0	5460N00	3 9	2 9				
KN 5 4 0 6 1 0	5461N00	3 7	7				
KN 5 4 0 6 1 0	5461N00	3 9	7				
KN 5 4 0 6 2 0	5462N00	3 7	2 3				
KN 5 4 0 6 2 0	5462N00	3 9	2 3				
KN 5 4 0 6 3 0	5463N00	3 7	2				
KN 5 4 0 6 4 0	5464N00	3 9	2				
KN 5 4 0 6 5 0	5465N00	3 7	1 4				
KN 5 4 0 6 5 0	5465N00	3 9	1 4				
KN 5 4 0 6 6 0	5466N00	3 7	3 0				
KN 5 4 0 6 6 0	5466N00	3 9	3 0				
KN 5 4 0 7 0 0	5470N00	3 7	2 6				
KN 5 4 0 7 0 0	5470N00	3 9	2 6				
KN 5 4 0 7 1 0	5471N00	3 7	3				
KN 5 4 0 7 1 0	5471N00	3 9	3				
KN 5 4 0 7 2 0	5472N00	3 7	1 3				
KN 5 4 0 7 2 0	5472N00	3 9	1 3				
KN 5 4 0 7 3 0	5473N00	3 7	2 5				
KN 5 4 0 7 3 0	5473N00	3 9	2 5				
KN 5 4 0 7 5 0	5475N00	3 7	2 4				